



Satisfy Professional's Needs

Plate Joiner PJ7000

PRECISION GROOVING

Slim motor housing with an extra-ergonomic barrel grip



Glue and a biscuit inside each slot creates a strong seam.



Compact and lightweight design for high maneuverability and easy handling

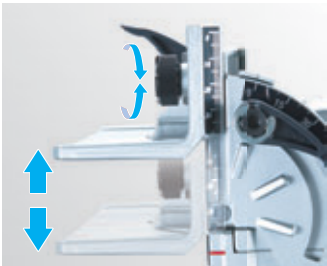


Connectable to vacuum cleaner

Dust nozzle can be rotated towards a desired direction of dust ejection.



Angle guide



Angle guide can be raised and lowered with rack and pinion mechanism, allowing fine vertical adjustment.

Angle adjustable fence



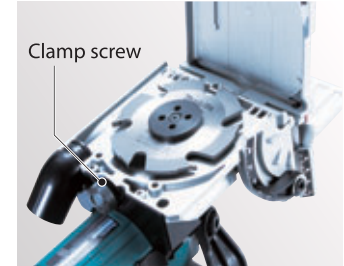
Angle adjustable fence can be locked in any position between 0° and 90° with positive stops at 0°, 45° and 90°.

Depth adjusting knob



Cutting depth can be preset in 6 stages by simply rotating the depth adjusting knob (stopper).

Easy blade replacement



Blade cover can be opened just by loosening clamp screw.

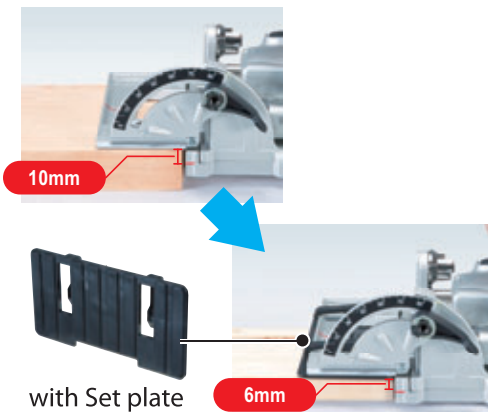


Plate Joiner



- Double Insulation
- Dust Collecting
- Carrying Case

PJ7000

459

Continuous rating Input	701W
Blade diameter	100mm
No load speed (r/min)	11,000
Dimensions (L x W x H)	302x139x145mm
Net Weight*	2.5kg
Power supply cord	2.5m

Standard Equipment :

Cutter Blade, Angle Guide, Dust Bag, Set Plate, Lock Nut Wrench

*Weight according to EPTA-Procedure 01/2003 Items of standard equipment and specifications may vary by country or area.