

SPARE PARTS LIST

MODEL NO. MLT100

ITEM	PART NO.	DESCRIPTION	QTY	NOTE
001	JM27000001	HEX.BOLT M10X35	4	
002	JM27000002	SPRING WASHER 10	4	
003	JM27000003	FLAT WASHER 10	4	
004	JM27000004	CROSS HEAD SELF TAPPING SCREW	2	
005	JM27000005	EXTERIOR HALF HANDLE	1	
006	JM27000006	INTERIOR HALF HANDLE	1	
007	JM27000007	HEX.LOCK NUT M4	1	
008	JM27000008	BOTTOM	1	
009	JM27000009	FLAT WASHER 4	2	
010	JM27000010	LIMITED BRACKET	1	
011	JM27000011	CROSS HEAD SCREW M4X12	2	
012	JM27000012	FIX BRACKET B	1	
013	JM27000013	SPRING WASHER 4	2	
014	JM27000014	FIX FLAT RAIL	2	
015	JM27000015	SLIDING FLAT RAIL	1	
016	JM27000016	CROSS HEAD SCREW M6X10	1	
017	*****	*****	***	*****
018	JM27000018	SLIDING TABLE RACK RAIL	1	
019	JM27000019	FIX BRACKET B	1	
020	JM27000020	SLIDING FLAT RAIL COVER	2	
021	JM27000021	SLIDING RAIL COVER	2	
022	JM27000022	FIX RAIL I	2	
023	JM27000023	SLIDING RAIL	1	
024	JM27000024	FLAT WASHER 6	2	
025	JM27000025	GEAR	1	
026	JM27000026	RIVET 5X9	6	
027	JM27000027	CROSS HEAD SCREW M4X10	2	
028	JM27000028	SHAFT	1	
029	JM27000029	RETAINING RING 6	1	
030	JM27000030	SLIDING LIMITED PLATE	1	
031	JM27000031	GEAR LIMITED C	1	
032	JM27000032	HEX. NUT M6	12	
033	JM27000033	HEX BOLT M6X10	12	
034	JM27000034	CONNECTION NUT	1	
035	JM27000035	SLIDING TABLE	1	
036	JM27000036	SLIDING TABLE COVER	1	
037	JM27000037	SELF TAPPING SCREW ST3.9X8	3	
038	JM27000038	CROSS HEAD SCREW M6X16	2	
039	JM27000039	FIX BRACKET A	1	
040	JM27000040	MAIN TABLE A	1	
041	JM27000042	CROSS HEAD SCREW M5X10	2	
042	JM27000043	LOCK KNOB	2	
043	JM27000044	SLIDING BAR B	2	
044	*****	*****	***	*****
045	JM27000047	BIG FLAT WASHER 5	2	
046	JM27000048	SPRING WASHER 5	2	
047	JM27000049	CROSS HEAD SCREW M5X14	2	
049	JM27000051	LOCK NUT M6	1	
050	JM27000055	WASHER	1	
051	JM27000056	FIX PLATE	2	
052	JM27000057	LEFT GUARD	1	
053	JM27000058	CONNECTION BOLT	1	
054	JM27000059	PIN 4X8	1	
055	JM27000060	WASHER	1	
056	JM27000061	WRENCH	1	
057	JM27000062	SIDE PROTECTION PLATE	1	
058	JM27000063	PIN	1	
059	JM27000064	WASHER A	1	
060	JM27000065	RING 10	1	
061	JM27000066	CROSS HEAD SUNK SCREW M4X8	6	
062	JM27000067	TABLE INSERT	1	

SPARE PARTS LIST

MODEL NO. MLT100

ITEM	PART NO.	DESCRIPTION	QTY	NOTE
063	JM27000068	RIGHT EXTENSION TABLE	1	
064	JM27000069	H.S.BOLT M14X20	2	
065	JM27000070	HEX NUT M8	3	
066	JM27000071	SPRING WASHER 8	3	
067	JM27000072	FLAT WASHER 8	3	
068	JM27000073	SQUARE NECK BOLT M8X25	3	
069	JM27000074	COVER A	1	
070	JM27000075	SUB FRONT RAIL	1	
071	JM27000078	COVER B	1	
072	JM27000079	SLIDING BAR A	2	
073	JM27000082	FRONT RAIL	1	
074	JM27000085	LOCK KNOB A	1	
077	JM27000088	FIX PLATE	1	
078	JM27000089	PROTECTION PLATE	1	
079	JM27000090	DUST PORT	1	
080	JM27000091	HEX.BOLT M5X65	1	
081	JM27000092	HEX.BOLT M5X55	1	
082	JM27000093	CORD BRACKET	2	
083	JM27000094	CORD PROTECTION TUBE	1	
084	JM27000095	HOOK	2	
085	JM27000096	CROSS HEAD SCREW M5X25	6	
087	JM27000102	CLAMP PLATE	1	
088	JM27000103	CROSS HEAD SELF TAPPING SCREW	2	
089	JM27000104	HEX.BOLT M10X45	1	
090	JM27000105	CABINET	1	
091	JM27000108	BOTTOM	1	
092	JM27000109	BIG FLAT WASHER 4	1	
093	JM27000110	FRONT PANEL LABEL	1	
094	JM27000111	HEX BOLT M6X16	2	
095	JM27000112	BRACKET B	1	
096	JM27000113	LOGO LABEL	1	
097	JM27000114	CROSS HEAD SELF TAPPING SCREW	2	
098	JM27000115	SOFT START DEVICE COVER	1	
099	JM27000116	SOFT START DEVICE	1	
100	JM27000117	CROSS HEAD SELF TAPPING SCREW	2	
101	JM27000118	STRAIN & RELIEF	2	
102	JM27000119	SWITCH COVER	1	
103	JM27000120	SWITCH BOX	1	
104	JM27000121	OVERLOAD SWITCH	1	
105	JM27000122	OVERLOAD SWITCH LABEL	1	
106	JM27000123	OVERLOAD SWITCH NUT	1	
107	*****	*****	***	*****
108	JM27000136	CROSS HEAD SCREW M4X14	2	
109	JM27000137	HEX.NUT M6X12	1	
110	JM27000138	LOCK HANDLE	1	
111	JM27000139	LOCK BOLT	1	
112	JM27000140	TORSION SPRING	1	
113	JM27000141	BUSH	1	
114	JM27000142	RACK BRACKET	1	
115	JM27000143	SUPPORT PLATE	1	
116	JM27000144	CROSS HEAD SUNK SCREW M5X8	4	
117	JM27000145	TUBE	1	
119	JM27000147	MOTOR(230V) INC. 246-250,253,256,257,260, INC. 262,263,319-322,431, INC. 446-448,466,467	1	
120	JM27000148	BRACKET	1	
121	JM27000149	H.S.BOLT M6X20	2	
122	JM27000150	RIVING KNIF	1	
123	JM27000151	FIX PLATE	1	
124	JM27000152	SLIDING PLATE	1	

SPARE PARTS LIST

MODEL NO. MLT100

ITEM	PART NO.	DESCRIPTION	QTY	NOTE
125	JM27000153	FRAME	1	
126	JM27000154	COVER	1	
127	JM27000155	FLAT WASHER 5	2	
128	JM27000156	CROSS HEAD SCREW M5X20	2	
129	JM27000157	BAR	2	
130	JM27000158	ROD	1	
131	JM27000159	KEY 4X8	1	
132	JM27000160	ADJUSTING BRACKET	1	
133	JM27000161	H.S.BOLT M5X20	2	
134	JM27000162	BEVEL GEAR	1	
135	JM27000163	RETAINING RING 10	1	
136	JM27000164	POINTER	1	
137	JM27000165	ROD	1	
138	JM27000166	WHEEL	1	
139	JM27000167	CROSS HEAD SCREW M5X12	1	
140	JM27000168	KNOB	1	
141	JM27000169	SCREW	1	
142	JM27000170	PROTECTION PLATE	1	
143	JM27000171	INNER FLANGE	1	
144	JM27000172	H.S.BOLT WITH GLUE M6X12	1	
145	JM27000173	PLATE	2	
146	JM27000174	CROSS HEAD SCREW M3X25	2	
147	JM27000175	BIG WASHER 3	2	
148	JM27000176	HEX LOCK NUT M3	2	
149	JM27000177	SELF TAPPING SCREW ST3.9X10	1	
150	JM27000178	PROTECTION PLATE	1	
151	JM27000179	OUTER FLANGE	1	
152	JM27000180	NUT M16	1	
153	JM27000181	PROTECTION PLATE	1	
154	JM27000182	PLATE	1	
155	JM27000183	NUT M5	1	
156	JM27000184	SUPPORT BRACKET	1	
157	JM27000185	COVER	1	
158	JM27000186	HANDLE	1	
159	JM27000187	PIN 3X30	1	
160	JM27000188	PIN	1	
161	JM27000189	ECCENTRIC WHEEL	1	
162	JM27000190	FRICTION PAD	1	
163	JM27000191	PIN	1	
164	JM27000192	BRACKET	1	
165	JM27000193	PRESSION SPRING	1	
166	JM27000194	PAW	1	
168	JM27000196	SCREW	1	
169	JM27000197	POINTER	1	
170	JM27000198	CROSS HEAD SCREW M4X8	1	
171	JM27000199	BRACKET	1	
172	JM27000200	INSERT	1	
173	JM27000201	RIP FENCE	1	
174	JM27000203	LOCK NUT	2	
175	JM27000204	SQUARE NECK BOLT M6X60	2	
176	JM27000205	INSERT	1	
177	JM27000206	SLIDING BAR	1	
178	JM27000207	POINTER	1	
179	JM27000208	FLAT WASHER 3	1	
180	JM27000209	CROSS HEAD SCREW M3X8	1	
181	JM27000210	WING NUT	1	
182	JM27000211	BIG WASHER 6	2	
183	JM27000212	WASHER	1	
184	JM27000213	LOCK KNOB	1	
185	JM27000214	SCALE LABEL	1	
186	JM27000215	HANDLE	1	

SPARE PARTS LIST

MODEL NO. MLT100

ITEM	PART NO.	DESCRIPTION	QTY	NOTE
187	JM27000216	PIN	1	
188	JM27000217	THREAD ROD	1	
189	JM27000218	LINK	1	
190	JM27000219	PLATE	1	
191	JM27000220	INSERT	2	
192	JM27000221	FENCE	1	
193	JM27000222	SQUARE NECK BOLT M6X30	2	
194	JM27000223	MITER GUAGE	1	
195	JM27000225	PAD	1	
246	JM23000156	POWER SUPPLY CORD	1	
247	JM27000292	CROSS HEAD SCREW M5X8	2	
248	JM27000293	COVER	1	
249	JM27000294	BRUSH COVER	2	
250	JM23000123	CARBON BRUSH	1	
251	JM27000296	BRUSH HOLDER	2	
253	JM27000299	CLAMP PLATE	1	
254	JM27000361	ABSORB RING	1	
255	*****	*****	***	*****
256	JM27000302	STATOR(230V)	1	
257	JM27000305	CROSS HEAD SELF TAPPING SCREW	2	
258	JM27000306	ROTOR(230V)	1	
259	*****	*****	***	*****
260	JM27000313	RING	1	
261	*****	*****	***	*****
262	JM27000316	CROSS HEAD SCREW M5X35	4	
263	JM27000317	CROSS HEAD SUNK SCREW M5X16	3	
264	JM27000318	GEAR COVER	1	
265	JM27000319	BEARING 6003-2Z	1	
266	JM27000320	RETAINING RING 35	1	
267	JM27000321	OUTER SHAFT	1	
268	JM27000323	KEY 5X6.5X16	1	
269	JM27000324	GEAR	1	
270	JM27000325	RETAINING RING 16	1	
271	JM27000326	BUSH	1	
272	JM27000327	SLIDING TABLE PAD	2	
275	JM27000330	HOOK	1	
277	JM27000332	CLAMP	2	
278	JM27080019	NAME PLATE	1	
280	JM27000333	SCALE LABEL	1	
281	JM27000335	SCALE LABEL	1	
283	JM27000337	SCALE LABEL	2	
284	JM27000339	H.S.BOLT WITH GLUE M6X20	2	
285	JM27000340	BLADE GUARD	1	
286	JM27000341	CROSS HEAD SELF TAPPING SCREW	4	
287	JM27080020	WARNING LABEL	1	
288	JM27080060	WARNING LABEL	1	
291	JM27000342	CAPACITOR	1	
309	JM27000052	UP BLADE GUARD ASSEMBLY (EU TY INC. 49-60,122,285,286,288	1	
310	JM27000076	SUB FRONT RAIL ASSEMBLY (MMSA INC. 70,281	1	
311	JM27000080	SLIDING BAR A ASSEMBLY (MMSAL INC. 72,283	1	
312	JM27000083	FRONT RAIL ASSEMBLY (MMSCALE) INC. 73,280	1	
313	JM27000100	BLADE INNER LING 30.0	1	
314	JM27000106	CABINET ASSEMBLY(A)	1	
315	JM27000127	SWITCH ASSEMBLY 1 SWA SOO CAO INC. 97-108,291,430,498	1	
316	JM27000202	RIP FENCE ASSEMBLY INC. 121,158-166,168-173,175	1	

SPARE PARTS LIST

MODEL NO. MLT100

ITEM	PART NO.	DESCRIPTION	QTY	NOTE
		INC. 176,418,435,458,484,500		
		INC. 501,521		
317	JM27000224	MITER GUAGE ASSEMBLY	1	
		INC. 92,157,174,177-195,452,		
		INC. 483,485,523		
319	JM27000298	MOTOR HOUSE ASSEMBLY	1	
		INC. 251		
320	JM27000309	ROTOR(230V)ASSEMBLY	1	
		INC. 254,255,258,259		
321	*****	*****	***	*****
322	JM27000322	OUTER SHAFT ASSEMBLY	1	
		INC. 264-270		
411	JM27000024	FLAT WASHER 6	12	
412	JM27000024	FLAT WASHER 6	12	
413	JM27000024	FLAT WASHER 6	2	
414	JM27000024	FLAT WASHER 6	2	
415	JM27000024	FLAT WASHER 6	2	
416	JM27000024	FLAT WASHER 6	2	
417	JM27000024	FLAT WASHER 6	2	
418	JM27000024	FLAT WASHER 6	2	
424	JM27000004	CROSS HEAD SELF TAPPING SCREW	2	
426	JM27000004	CROSS HEAD SELF TAPPING SCREW	2	
427	JM27000004	CROSS HEAD SELF TAPPING SCREW	2	
428	JM27000004	CROSS HEAD SELF TAPPING SCREW	6	
429	JM27000004	CROSS HEAD SELF TAPPING SCREW	2	
430	JM27000004	CROSS HEAD SELF TAPPING SCREW	2	
431	JM27000004	CROSS HEAD SELF TAPPING SCREW	2	
432	JM27000009	FLAT WASHER 4	4	
433	JM27000009	FLAT WASHER 4	1	
434	JM27000009	FLAT WASHER 4	1	
435	JM27000009	FLAT WASHER 4	1	
437	JM27000009	FLAT WASHER 4	2	
438	JM27000009	FLAT WASHER 4	2	
439	JM27000009	FLAT WASHER 4	2	
440	JM27000009	FLAT WASHER 4	1	
441	JM27000155	FLAT WASHER 5	2	
442	JM27000155	FLAT WASHER 5	2	
443	JM27000155	FLAT WASHER 5	1	
444	JM27000155	FLAT WASHER 5	1	
445	JM27000155	FLAT WASHER 5	2	
446	JM27000155	FLAT WASHER 5	4	
447	JM27000155	FLAT WASHER 5	2	
448	JM27000155	FLAT WASHER 5	2	
449	JM27000016	CROSS HEAD SCREW M6X10	3	
450	JM27000033	HEX BOLT M6X10	3	
451	JM27000013	SPRING WASHER 4	4	
452	JM27000013	SPRING WASHER 4	1	
453	JM27000013	SPRING WASHER 4	2	
454	JM27000013	SPRING WASHER 4	2	
455	JM27000013	SPRING WASHER 4	1	
457	JM27000017	SPRING WASHER 6	3	
458	JM27000017	SPRING WASHER 6	2	
459	JM27000017	SPRING WASHER 6	2	
460	JM27000017	SPRING WASHER 6	2	
461	JM27000017	SPRING WASHER 6	2	
462	JM27000032	HEX. NUT M6	1	
463	JM27000048	SPRING WASHER 5	2	
464	JM27000048	SPRING WASHER 5	2	
465	JM27000048	SPRING WASHER 5	1	
466	JM27000048	SPRING WASHER 5	4	
467	JM27000048	SPRING WASHER 5	2	

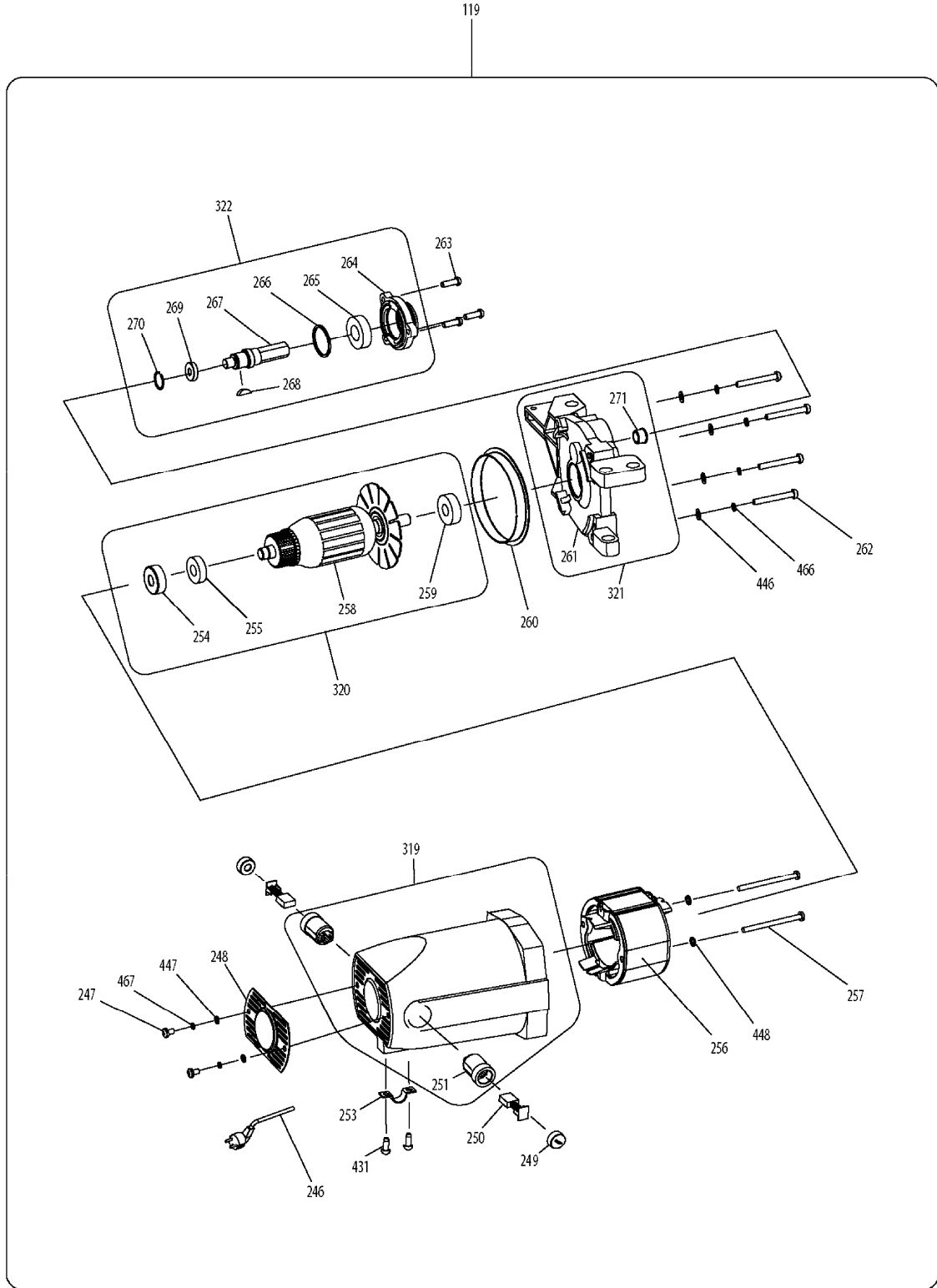
SPARE PARTS LIST

MODEL NO. MLT100

ITEM	PART NO.	DESCRIPTION	QTY	NOTE
468	JM27000042	CROSS HEAD SCREW M5X10	2	
469	JM27000042	CROSS HEAD SCREW M5X10	2	
470	JM27000042	CROSS HEAD SCREW M5X10	2	
471	JM27000042	CROSS HEAD SCREW M5X10	2	
472	JM27000042	CROSS HEAD SCREW M5X10	1	
473	JM27000109	BIG FLAT WASHER 4	2	
474	JM27000109	BIG FLAT WASHER 4	6	
475	JM27000109	BIG FLAT WASHER 4	2	
476	JM27000109	BIG FLAT WASHER 4	1	
477	JM27000011	CROSS HEAD SCREW M4X12	4	
478	JM27000011	CROSS HEAD SCREW M4X12	1	
479	JM27000011	CROSS HEAD SCREW M4X12	1	
480	JM27000011	CROSS HEAD SCREW M4X12	2	
481	JM27000047	BIG FLAT WASHER 5	6	
482	JM27000047	BIG FLAT WASHER 5	2	
483	JM27000066	CROSS HEAD SUNK SCREW M4X8	2	
484	JM27000066	CROSS HEAD SUNK SCREW M4X8	1	
485	JM27000027	CROSS HEAD SCREW M4X10	1	
486	JM27000027	CROSS HEAD SCREW M4X10	2	
487	JM27000027	CROSS HEAD SCREW M4X10	2	
488	JM27000027	CROSS HEAD SCREW M4X10	1	
489	JM27000037	SELF TAPPING SCREW ST3.9X8	3	
490	JM27000149	H.S.BOLT M6X20	2	
491	JM27000149	H.S.BOLT M6X20	2	
492	JM27000070	HEX NUT M8	2	
493	JM27000071	SPRING WASHER 8	2	
494	JM27000072	FLAT WASHER 8	2	
495	JM27000073	SQUARE NECK BOLT M8X25	2	
496	JM27000038	CROSS HEAD SCREW M6X16	2	
497	JM27000043	LOCK KNOB	2	
498	JM27000114	CROSS HEAD SELF TAPPING SCREW	2	
500	JM27000203	LOCK NUT	2	
501	JM27000211	BIG WASHER 6	2	
504	JM27000051	LOCK NUT M6	2	
505	JM27000005	EXTERIOR HALF HANDLE	1	
506	JM27000006	INTERIOR HALF HANDLE	1	
507	JM27000007	HEX.LOCK NUT M4	1	
508	JM27000010	LIMITED BRACKET	1	
509	JM27000018	SLIDING TABLE RACK RAIL	1	
510	JM27000039	FIX BRACKET A	1	
511	JM27000064	WASHER A	1	
514	JM27000074	COVER A	1	
515	JM27000078	COVER B	1	
516	JM27000152	SLIDING PLATE	1	
517	JM27000159	KEY 4X8	1	
518	JM27000162	BEVEL GEAR	1	
519	JM27000163	RETAINING RING 10	1	
520	JM27000167	CROSS HEAD SCREW M5X12	1	
521	JM27000185	COVER	1	
523	JM27000210	WING NUT	1	
524	JM27000036	SLIDING TABLE COVER	1	
A01	JM27000086	PUSH STICK	1	
A02	JM27000087	WRENCH B	2	
A03	JM27000328	TRIANGLE PLATE	1	
A04	JM27000329	WRENCH	1	
A05	JM27000097	BLADE 260X30.0	1	

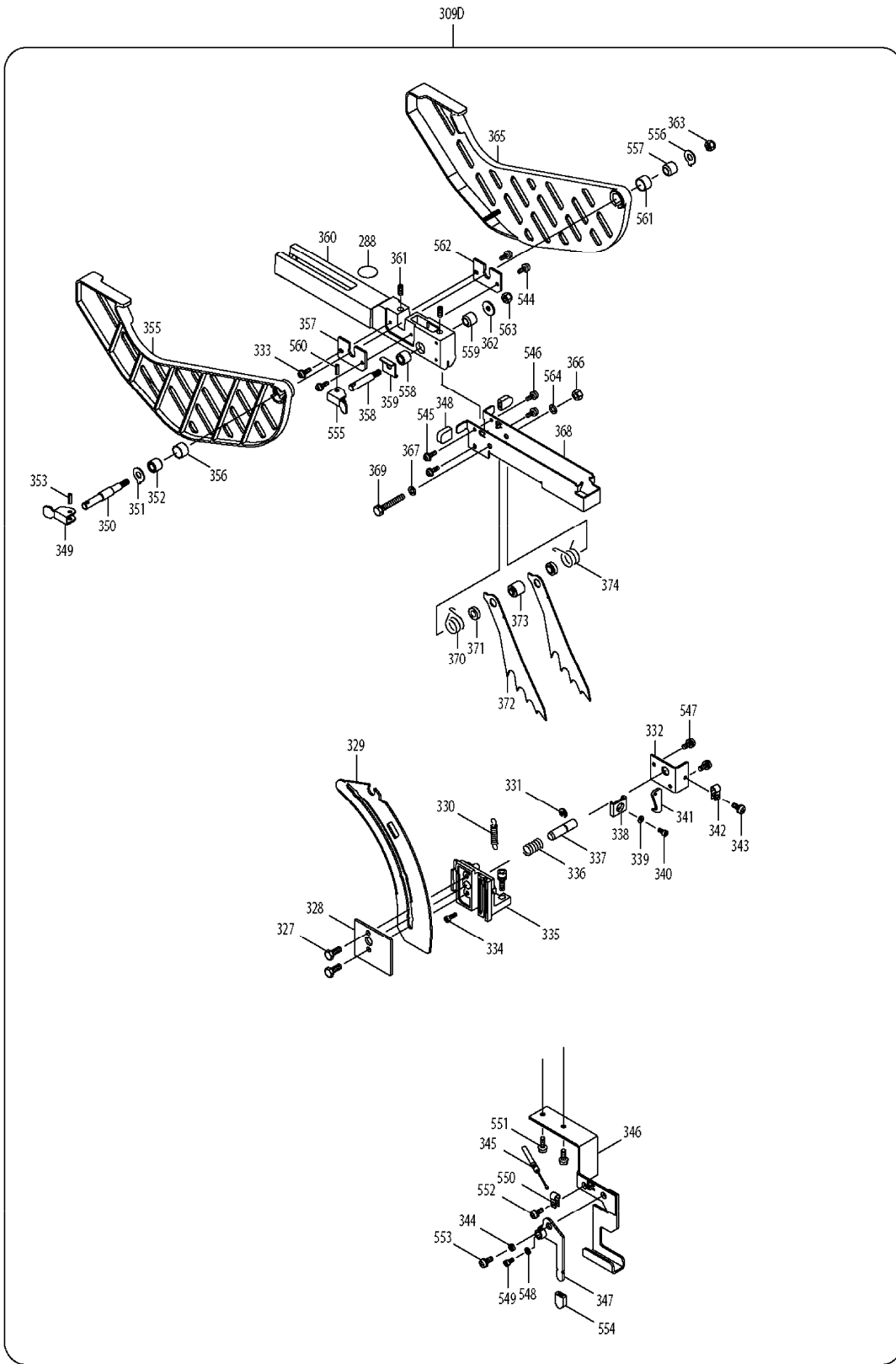
SERVICE DRAWING

MODEL NO. MLT100



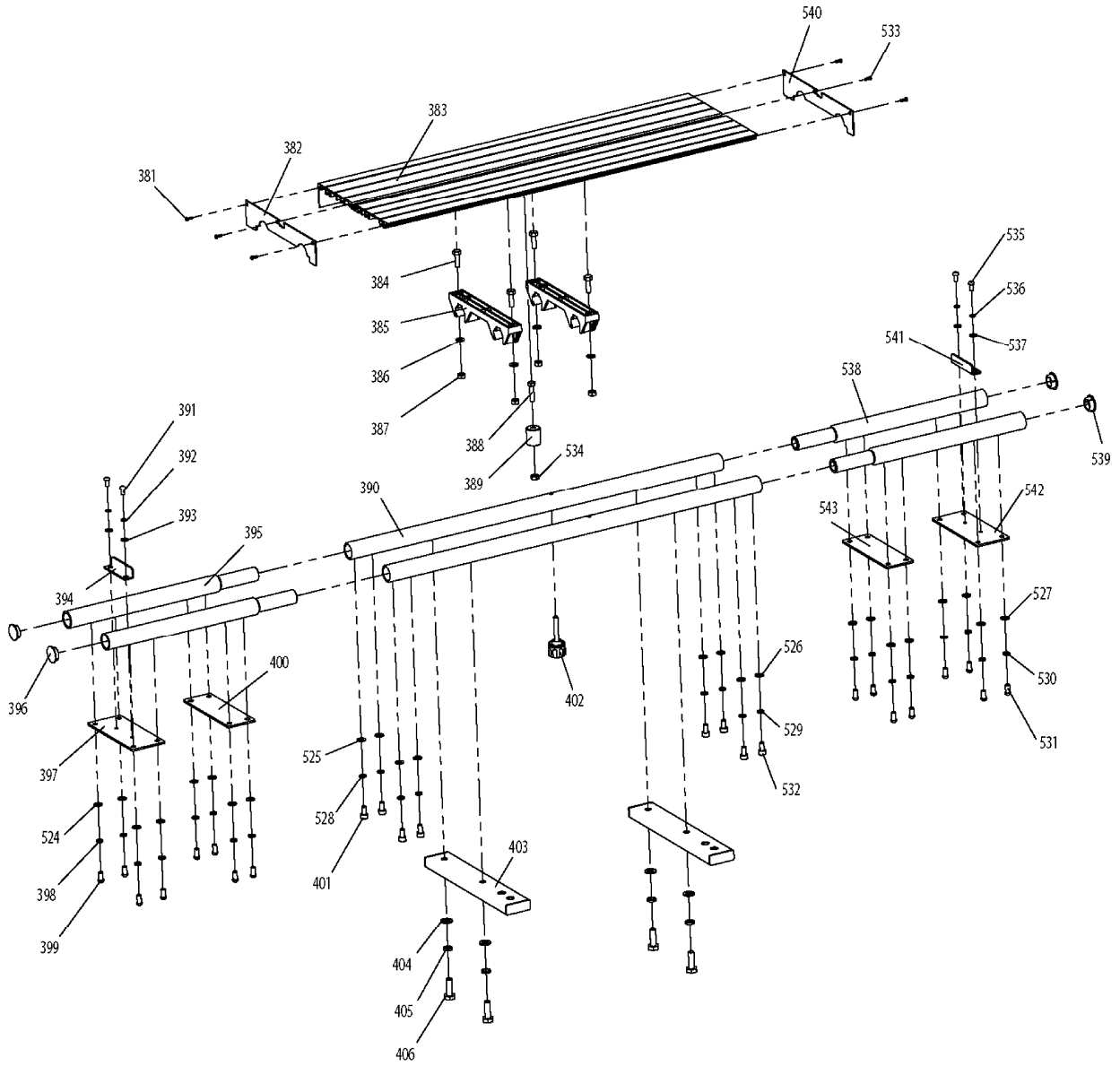
SERVICE DRAWING

MODEL NO. MLT100



SERVICE DRAWING

MODEL NO. MLT100



SERVICE DRAWING

MODEL NO. MLT100

