

# SPARE PARTS LIST

MODEL NO. LS1040

| ITEM | PART NO. | DESCRIPTION                           | QTY | NOTE  |
|------|----------|---------------------------------------|-----|-------|
| 001  | 416004-6 | HANDLE COVER                          | 1   |       |
| 002  | 211206-7 | BALL BEARING 6202LLB                  | 1   |       |
| 003  | *****    | *****                                 | *** | ***** |
| 004  | 343641-2 | SHAFT LOCK                            | 1   |       |
| 005  | 241909-9 | FAN 80                                | 1   |       |
| 006  | 516718-8 | ARMATURE ASS'Y 220V<br>INC. 2,3,5,7,8 | 1   |       |
| 007  | 681640-9 | INSULATION WASHER                     | 1   |       |
| 008  | 211061-7 | BALL BEARING 6000LLB                  | 1   |       |
| 009  | 416442-2 | BAFFLE PLATE                          | 1   |       |
| 010  | 526068-3 | FIELD ASS'Y 220-240V                  | 1   |       |
| 011  | 265995-6 | TAPPING SCREW 4X18                    | 2   |       |
| 012  | *****    | *****                                 | *** | ***** |
| 013  | 665865-3 | POWER SUPPLY CORD 1.0-2-2.5           | 1   |       |
| 014  | 682540-6 | CORD GUARD 9.3-90                     | 1   |       |
| 015  | 851559-8 | NAME PLATE LS1040                     | 1   |       |
| 016  | 265995-6 | TAPPING SCREW 4X18                    | 5   |       |
| 017  | 911383-2 | PAN HEAD SCREW M6X60                  | 4   |       |
| 018  | 411478-6 | SWITCH BUTTON                         | 1   |       |
| 019  | 643650-4 | BRUSH HOLDER CAP 6.5-13.5             | 2   |       |
| 020  | 181044-0 | CARBON BRUSH CB-153                   | 1   |       |
| 021  | *****    | *****                                 | *** | ***** |
| 022  | 651923-1 | SWITCH TG70B                          | 1   |       |
| 023  | 231457-6 | COMPRESSION SPRING 3                  | 1   |       |
| 024  | 416000-4 | LOCK OFF LEVER                        | 1   |       |
| 025  | 415999-0 | SWITCH LEVER                          | 1   |       |
| 026  | 414546-4 | CAM                                   | 1   |       |
| 027  | 266029-8 | TAPPING SCREW 5X65                    | 2   |       |
| 028  | 231297-2 | COMPRESSION SPRING 9                  | 1   |       |
| 029  | 251667-9 | HEX. BOLT M8X75                       | 1   |       |
| 030  | 262511-5 | RUBBER SLEEVE 6                       | 1   |       |
| 031  | 265995-6 | TAPPING SCREW 4X18                    | 1   |       |
| 032  | *****    | *****                                 | *** | ***** |
| 033  | 226465-0 | HELICAL GEAR 42                       | 1   |       |
| 034  | 316821-3 | BEARING BOX                           | 1   |       |
| 035  | 211256-2 | BALL BEARING 6203LLB                  | 1   |       |
| 036  | 285685-5 | BEARING RETAINER 64                   | 1   |       |
| 037  | 322865-3 | SPINDLE                               | 1   |       |
| 038  | 224333-1 | FLANGE 53                             | 1   |       |
| 039  | 224333-1 | FLANGE 53                             | 1   |       |
| 040  | 265355-2 | HEX. FLANGE HEAD BOLT M8X20           | 1   |       |
| 041  | 343639-9 | CENTER PLATE                          | 1   |       |
| 042  | 344380-7 | CENTER COVER                          | 1   |       |
| 043  | 265324-3 | HEX. FLANGE HEAD BOLT M8X12           | 1   |       |
| 044  | 231593-8 | TORSION SPRING 36                     | 1   |       |
| 045  | 416003-8 | SAFETY COVER                          | 1   |       |
| 046  | 267136-0 | FLAT WASHER 5                         | 1   |       |
| 047  | 911213-7 | PAN HEAD SCREW M5X12                  | 1   |       |
| 048  | 265985-9 | HEX.SOCKET HEAD BOLT M6               | 1   |       |
| 049  | 911223-4 | PAN HEAD SCREW M5X16                  | 2   |       |
| 050  | 819064-1 | MAKITA MARK                           | 1   |       |
| 051  | *****    | *****                                 | *** | ***** |
| 052  | *****    | *****                                 | *** | ***** |
| 053  | *****    | *****                                 | *** | ***** |
| 054  | 912342-9 | COUNTERSUNK HEAD SCREW M6X25          | 1   |       |
| 055  | 253715-0 | FLAT WASHER 6                         | 1   |       |
| 056  | *****    | *****                                 | *** | ***** |
| 057  | 344476-4 | SUB FENCE PLATE                       | 1   |       |
| 058  | 252014-7 | HEX. LOCK NUT M6-10                   | 1   |       |
| 059  | 251961-9 | H.S.SET SCREW(FLAT POINT)M6X10        | 1   |       |
| 060  | 257162-7 | RING 7                                | 1   |       |

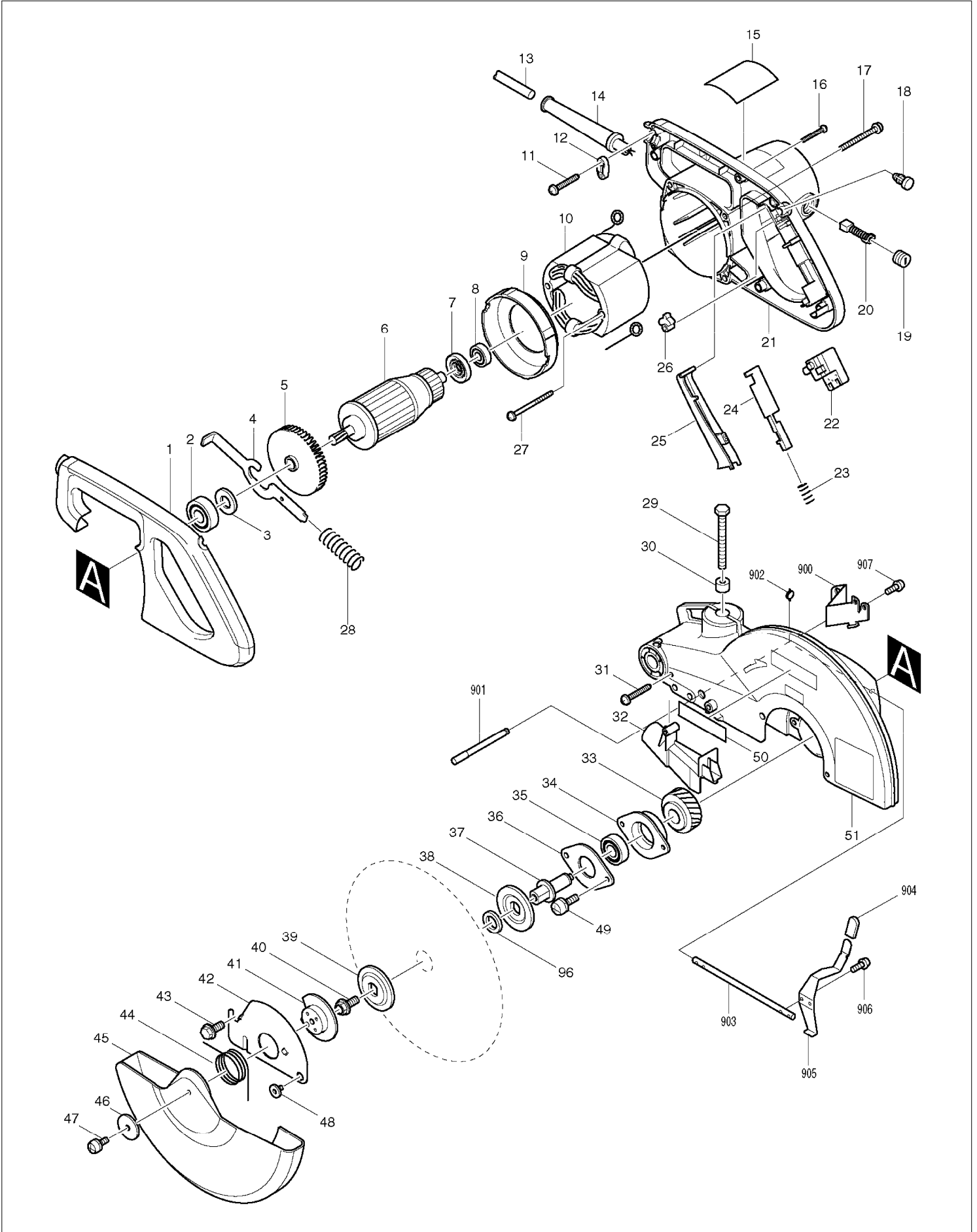
# SPARE PARTS LIST

MODEL NO. LS1040

| ITEM | PART NO. | DESCRIPTION                    | QTY | NOTE  |
|------|----------|--------------------------------|-----|-------|
| 061  | 253823-7 | FLAT WASHER 7                  | 1   |       |
| 062  | 265984-1 | HEX.SOCKET BUTTON HEAD BOLT M6 | 1   |       |
| 063  | 344377-6 | LINK PLATE                     | 1   |       |
| 064  | 265984-1 | HEX.SOCKET BUTTON HEAD BOLT M6 | 1   |       |
| 065  | 253823-7 | FLAT WASHER 7                  | 1   |       |
| 066  | 257162-7 | RING 7                         | 1   |       |
| 067  | 416006-2 | LEVER 100                      | 1   |       |
| 068  | 911113-1 | PAN HEAD SCREW M4X10           | 1   |       |
| 069  | 265437-0 | HEX. BOLT M10                  | 1   |       |
| 070  | 253024-7 | FLAT WASHER 10                 | 1   |       |
| 071  | 256836-7 | ROD 16                         | 1   |       |
| 072  | *****    | *****                          | *** | ***** |
| 073  | 322317-4 | STOPPER PIN                    | 1   |       |
| 074  | 213021-5 | O RING 5                       | 1   |       |
| 075  | 233152-4 | COMPRESSION SPRING 28          | 1   |       |
| 076  | *****    | *****                          | *** | ***** |
| 077  | *****    | *****                          | *** | ***** |
| 079  | 911113-1 | PAN HEAD SCREW M4X10           | 1   |       |
| 080  | 344385-7 | POINTER                        | 1   |       |
| 081  | 343799-7 | SLIDE PLATE                    | 3   |       |
| 082  | 921452-1 | HEX. BOLT M8X30                | 1   |       |
| 083  | 911213-7 | PAN HEAD SCREW M5X12           | 2   |       |
| 084  | 273495-2 | GRIP 32                        | 1   |       |
| 085  | 344381-5 | KNOCK SPRING                   | 1   |       |
| 086  | *****    | *****                          | *** | ***** |
| 087  | *****    | *****                          | *** | ***** |
| 088  | 416001-2 | KERF BOARD                     | 1   |       |
| 089  | 416001-2 | KERF BOARD                     | 1   |       |
| 090  | 921452-1 | HEX. BOLT M8X30                | 1   |       |
| 091  | 931402-8 | HEX. NUT M8                    | 1   |       |
| 092  | 252105-4 | HEX. LOCK NUT M8-13            | 1   |       |
| 093  | 253762-1 | FLAT WASHER 8                  | 1   |       |
| 094  | 931402-8 | HEX. NUT M8                    | 1   |       |
| 095  | 921452-1 | HEX. BOLT M8X30                | 1   |       |
| 096  | 257060-5 | RING 15.8                      | 1   |       |
| 097  | 251887-5 | SCREW M6X10                    | 1   |       |
| 098  | *****    | *****                          | *** | ***** |
| 900  | 344572-8 | LOCK PLATE                     | 1   |       |
| 901  | *****    | *****                          | *** | ***** |
| 902  | 231633-2 | TORSION SPRING 8               | 1   |       |
| 903  | 323721-0 | ROD 8                          | 1   |       |
| 904  | 421589-9 | CAP                            | 1   |       |
| 905  | *****    | *****                          | *** | ***** |
| 906  | 911113-1 | PAN HEAD SCREW M4X10           | 2   |       |
| 907  | 911113-1 | PAN HEAD SCREW M4X10           | 2   |       |
| 908  | 424018-1 | SUB LEVER                      | 1   |       |
| A01  | 411478-6 | SWITCH BUTTON                  | 2   |       |
| A02  | 762001-3 | TRIANGULAR RULE                | 1   |       |
| A03  | 782212-4 | SOCKET WRENCH 13               | 1   |       |
| A04  | 122523-9 | DUST BAG ASS'Y                 | 1   |       |
| A05  | *****    | *****                          | *** | ***** |
| A06  | 122536-0 | WISE ASS'Y                     | 1   |       |
| A07  | 257022-3 | RING 16                        | 1   |       |
| A08  | *****    | *****                          | *** | ***** |
| E02  | 645105-5 | NOISE SUPPRESSOR               | 1   |       |
| E05  | 651941-9 | SWITCH V-15-2A5                | 1   |       |
| E17  | A-83696  | T.C.T.SAW BLADE 25X32TX25.4    | 1   |       |
| E19  | 646073-5 | CHOKE COIL                     | 1   |       |
| E22  | *****    | *****                          | *** | ***** |

# SERVICE DRAWING

MODEL NO. LS1040



# SERVICE DRAWING

MODEL NO. LS1040

