

# SPARE PARTS LIST

MODEL NO. LB1200F

ITEM	PART NO.	DESCRIPTION	QTY	NOTE
001	JM21000018	HEX.SOCKET HEAD SCREW M5X12	4	
002	JM21000019	SPRING WASHER 5	4	
003	JM21000020	FLAT WASHER 5	4	
004	JM21000021	UP COVER COMPLETE	1	
005	JM21000025	MICRO SWITCH FIX PANEL A	1	
006	JM21000026	FLAT WASHER 4	2	
007	JM21000027	SPRING WASHER 4	2	
008	JM21000028	CROSS HEAD SUNK SCREW M4X10	2	
009	JM21000029	MICRO SWITCH PRESS PAW	1	
010	JM21000030	MICRO SWITCH BRACKET	1	
011	JM21000031	CROSS HEAD SUNK SCREW M4X12	2	
012	JM21000032	HEX NUT M4	2	
013	JM21000033	LOCKING NUT M6	1	
014	JM21000034	SPRING WASHER 6	1	
015	JM21000035	FLAT WASHER 6	1	
016	JM21000036	SPACER SLEEVE	1	
017	JM21000037	HEX.SOCKET HEAD SCREW M6X20	1	
018	JM21000038	MICRO SWITCH FIX PANEL B	1	
019	JM21000039	LOW COVER COMPLETE	1	
020	JM21000041	MACHINE BODY COMPLETE	1	
021	JM21000043	SHAFT RETAINING RING 17	1	
022	JM21000044	BEARING 6203	1	
023	JM21000045	HOLE COLLAR 40	1	
024	JM21000046	UP SAW WHEEL	1	
025	JM21000047	TIRE	1	
026	JM21000048	BEAM A COMPLETE	2	
027	JM21000050	LOW SAW WHEEL	1	
028	JM21000051	TENSION KNOB	1	
029	JM21000052	SEALING RING	1	
030	JM21000053	TENSION THREAD ROD	1	
031	JM21000054	TENSION POINTER	1	
032	JM21000055	SPRING BASE	1	
033	JM21000056	COMPRESSURE SPRING 45	1	
034	JM21000057	FIX BRACKET	1	
035	JM21000058	HEX NUT M8	4	
036	JM21000059	SPRING WASHER 8	4	
037	JM21000060	FLAT WASHER 8	4	
038	JM21000061	FIX SIDE PLATE A	1	
039	JM21000062	HEX. SOCKET HEAD BOLT M8X16	4	
040	JM21000063	HEX NUT M6	2	
041	JM21000064	HEX BOLT M6X35	1	
042	JM21000065	HEX BOLT M6X25	1	
043	JM21000066	FIX SIDE PLATE B	1	
044	JM21000067	THIN NUT M10	3	
045	JM21000068	COLUMN PIN D	1	
046	JM21000069	UP WHEEL SHAFT	1	
047	JM21000070	MOVING BRACKET	1	
048	JM21000071	FIX BRACKET	1	
049	JM21000072	DUST SEAL BAR	1	
050	JM21000073	LIFTING BRACKET COVER	1	
051	JM21000074	RACK	1	
052	JM21000075	LIFTING BRACKET	1	
053	JM21000076	ELASTIC PIN 4	1	
054	JM21000077	LIFTING LABEL	1	
055	JM21000078	ADJUSTABLE SCREW	1	
056	JM21000079	SLIDER B	2	
057	JM21000080	GEAR WHEEL B	1	
058	JM21000081	H.S.BUTTON HEAD SCREW M6X12	2	
059	JM21000082	LIFTING KNOB	1	
060	JM21000083	BIG WASHER 8	1	
061	JM21000084	SPRING	1	

# SPARE PARTS LIST

MODEL NO. LB1200F

ITEM	PART NO.	DESCRIPTION	QTY	NOTE
062	JM21000085	LOCKING NUT	1	
063	JM21000086	COLUMN PIN A	1	
064	JM21000087	HEX. SOCKET SET SCREWS M6X10	3	
065	JM21000088	BOLT C	1	
066	JM21000089	LOCKING BRACKET	1	
067	JM21000090	FIX BRACKET B	1	
068	JM21000091	FIX BRACKET A	1	
069	JM21000092	COLUMN PIN B	3	
070	JM21000093	BEARING 6200	3	
071	JM21000094	SLEEVE B	3	
072	JM21000095	H.S.BOLT M5X20	3	
073	JM21000096	COVER	1	
074	JM21000097	CORD PROTECTION TUBE	1	
075	JM21000098	HEX THIN NUT M20	1	
076	JM21000099	ECCENTRIC WHEEL 32	1	
077	JM21000100	ELASTIC PIN 4X32	1	
078	JM21000101	INSERT B	1	
079	JM21000102	MICRO SWITCH	1	
080	JM21000103	SLEEVE A	1	
081	JM21000104	BRUSH	1	
082	JM21000105	BRUSH SCREW	1	
083	JM21000106	LOCKNUT M8	1	
084	JM21000107	ACCESSORY STORAGE PLATE	1	
085	JM21000108	HEX.SOCKET BUTTON BOLT M4X10	4	
086	JM21000109	HY17 SWITCH	1	
087	JM21000110	LED SWITCH FIX PLATE	1	
088	JM21000111	HY17 SWITCH SHIELD	1	
089	JM21000112	LED SWITCH PANEL	1	
090	JM21000003	SWITCH	1	
091	JM21000221	EARTHING TERMINAL 4	2	
092	JM21000113	STAR WASHER 4	2	
093	JM21000114	HEX NUT M20	1	
094	JM21000115	DUST COLLECTOR PORT B	1	
095	JM21000116	PLATE SPRING	1	
096	JM21000117	HEX BOLT M5X12	2	
097	JM21000118	HEX NUT M5	2	
098	JM21000119	DUST BOX	1	
099	JM21000120	SHAFT RETAINING RING 11	1	
100	JM21000121	BEARING 6001	1	
101	JM21000122	HOLE COLLAR 28	1	
102	JM21000123	TENSION WHEEL	1	
103	JM21000124	TENSION WHEEL SHAFT	1	
104	JM21000125	THREAD ROD	1	
105	JM21000126	ELASTIC PIN 4X16	1	
106	JM21000127	LIMIT CIRCLE	1	
107	JM21000128	HEX.SOCKET SET SCREWS M5X8	1	
108	JM21000129	WHEEL TENSION KNOB A	1	
109	JM21000130	WHEEL TENSION KNOB B	1	
110	JM21000001	MOTOR	1	
111	JM21000131	H.S.BOLT M6X12	1	
112	JM21000132	KEY 5X5X20	1	
113	JM21000133	MOTOR PULLEY	1	
114	JM21000134	HEX BOLT M6X12	4	
115	JM21000135	V BELT	1	
116	JM21000136	TAPPING SCREW ST4.2X14	4	
117	JM21000137	DUST CONNECTOR PORT	1	
118	JM21000138	CORD CLAMP PAW	1	
119	JM21000139	CORD CLAMP BOLT M10	1	
120	JM21000140	H.S. HEAD SCREW M6X25	1	
121	JM21000141	LATCH KNOB	1	
122	JM21000142	DRIVING WHEEL SHAFT	1	

# SPARE PARTS LIST

MODEL NO. LB1200F

ITEM	PART NO.	DESCRIPTION	QTY	NOTE
123	JM21000143	CROSS HEAD SUNK SCREW M4X8	1	
124	JM21000144	MITER POINTER	1	
125	JM21000145	SPACER PLATE	1	
126	JM21000146	SLIDER	1	
127	JM21000147	BOLT B	2	
129	JM21000148	DUST PROTECTOR PLATE	1	
130	JM21000149	PROTECTOR PLATE	1	
132	JM21000150	LOW COVER B	1	
134	JM21000151	FIX BRACKET SLIDER	1	
135	JM21000152	PROTECTOR PLATE A	1	
136	JM21000153	STRAIN & RELIEF	1	
137	JM21000154	LIFTING POINTER	1	
138	JM21000010	CORD AND PLUG	1	
139	JM21000155	TAPPING SCREW ST4.2X8	2	
140	JM21000156	FIX BRACKET C	1	
141	JM21000157	LOW COVER A	1	
142	JM21000158	CROSS HEAD SUNK SCREW M6X10	1	
143	JM21000159	TAPPING SCREW ST3.2X8	2	
144	JM21000160	LED LAMP COVER B	1	
145	JM21000161	LED REFLECT COVER	1	
146	JM21000162	LED LAMP COVER A	1	
147	JM21000163	LED LAMP COVER C	1	
148	JM21000164	SELF TAPPING SCREW ST2.2X8	2	
149	JM21000165	LED CORD PROTECTOR A	1	
150	JM21000166	H.S.BOLT M4X20	3	
151	JM21000167	LED CORD PROTECTOR B	1	
152	JM21000168	SLEEVE	1	
153	JM21000169	CROSS HEAD SUNK SCREW M4X35	1	
154	JM21000170	SLEEVE 8	1	
155	JM21000171	TRANSFORMER LOW COVER	1	
156	JM21000172	TRANSFORMER	1	
157	JM21000173	WING NUT M8	1	
158	JM21000174	TRANSFORMER UP COVER	1	
159	JM21000175	TRACKING KNOB	1	
160	JM21000176	SLEEVE C	1	
161	JM21000177	H.S. SET SCREWS M6X10	2	
162	JM21000178	OPERATION HANDLE A	1	
163	JM21000179	SCALE LABEL	1	
164	JM21000180	FRONT RAIL SIDE COVER B	1	
165	JM21000181	WING KNOB C	4	
166	JM21000182	FRONT RAIL A	1	
167	JM21000183	CONNECTION PIN	3	
168	JM21000184	FRONT RAIL B	1	
169	JM21000185	FRONT RAIL SIDE COVER A	1	
170	JM21000186	CUSHION CAP	1	
171	JM21000187	RUBBER RING PAD	1	
172	JM21000188	H.S. SET SCREW M8X50	1	
173	JM21000189	LIMITED PLATE	1	
174	JM21000190	WORKING TABLE	1	
175	JM21000191	BLADE PROTECTION PLATE	1	
176	JM21000192	CROSS HEAD SUNK SCREW M3X10	2	
178	JM21000193	HEX.SOCKET HEAD SCREW M6X30	1	
179	JM21000194	COMPRESSURE SPRING	1	
180	JM21000195	OPERATION HANDLE B ASSY	1	
181	JM21000196	LOCKING HANDLE BOLT	1	
182	JM21000197	LOCKING HANDLE A	1	
183	JM21000198	H.S.BOLT M8X20	4	
184	JM21000199	WORKING TABLE TURNION	1	
185	JM21000200	GEAR WHEEL A	1	
186	JM21000201	POSITION SLEEVE	1	
187	JM21000202	GEAR SHAFT	1	

# SPARE PARTS LIST

MODEL NO. LB1200F

ITEM	PART NO.	DESCRIPTION	QTY	NOTE
188	JM21000203	H.S.BOLT M8	2	
189	JM21000204	HANDLE SUPPORT B	1	
190	JM21000205	HOSE	1	
191	JM21000206	STEEL PIPE ASSEMBLY	1	
192	JM21000207	HANDLE SUPPORT A	1	
193	JM21000208	LEG A	1	
194	JM21000049	BEAM A	2	
195	JM21000209	LEG B	3	
196	JM21000210	SQUARE NECK BOLT M6X16	16	
197	JM21000211	LOCKNUT M10	2	
198	JM21000212	WHEEL SUPPORT B	1	
199	JM21000213	SHAFT RETAINING RING 13	2	
200	JM21000214	WHEEL	2	
201	JM21000215	ROLLER BUSH	2	
202	JM21000216	WHEEL SHAFT	1	
203	JM21000217	WHEEL SUPPORT A	1	
204	JM21000218	HEX BOLT M8X50	1	
205	JM21000219	LEG PAD	1	
206	JM21000220	BEAM B	2	
207	JM21000035	FLAT WASHER 6	1	
208	JM21000035	FLAT WASHER 6	2	
209	JM21000035	FLAT WASHER 6	4	
210	JM21000035	FLAT WASHER 6	32	
211	JM21000035	FLAT WASHER 6	4	
212	JM21000035	FLAT WASHER 6	4	
213	JM21000035	FLAT WASHER 6	2	
214	JM21000035	FLAT WASHER 6	1	
215	JM21000035	FLAT WASHER 6	2	
216	JM21000035	FLAT WASHER 6	2	
217	JM21000035	FLAT WASHER 6	2	
218	JM21000035	FLAT WASHER 6	4	
219	JM21000034	SPRING WASHER 6	1	
220	JM21000034	SPRING WASHER 6	4	
221	JM21000034	SPRING WASHER 6	32	
222	JM21000034	SPRING WASHER 6	4	
223	JM21000034	SPRING WASHER 6	2	
224	JM21000034	SPRING WASHER 6	2	
225	JM21000034	SPRING WASHER 6	4	
226	JM21000034	SPRING WASHER 6	4	
227	JM21000034	SPRING WASHER 6	1	
228	JM21000063	HEX NUT M6	4	
229	JM21000063	HEX NUT M6	32	
230	JM21000063	HEX NUT M6	4	
231	JM21000063	HEX NUT M6	1	
232	JM21000063	HEX NUT M6	2	
233	JM21000063	HEX NUT M6	2	
234	JM21000063	HEX NUT M6	4	
235	JM21000037	HEX.SOCKET HEAD SCREW M6X20	1	
236	JM21000037	HEX.SOCKET HEAD SCREW M6X20	2	
237	JM21000037	HEX.SOCKET HEAD SCREW M6X20	4	
238	JM21000020	FLAT WASHER 5	3	
239	JM21000020	FLAT WASHER 5	2	
240	JM21000020	FLAT WASHER 5	2	
241	JM21000020	FLAT WASHER 5	3	
242	JM21000028	CROSS HEAD SUNK SCREW M4X10	2	
243	JM21000028	CROSS HEAD SUNK SCREW M4X10	2	
244	JM21000028	CROSS HEAD SUNK SCREW M4X10	2	
245	JM21000028	CROSS HEAD SUNK SCREW M4X10	2	
246	JM21000028	CROSS HEAD SUNK SCREW M4X10	2	
247	JM21000028	CROSS HEAD SUNK SCREW M4X10	2	
248	JM21000026	FLAT WASHER 4	2	

# SPARE PARTS LIST

MODEL NO. LB1200F

ITEM	PART NO.	DESCRIPTION	QTY	NOTE
249	JM21000026	FLAT WASHER 4	2	
250	JM21000026	FLAT WASHER 4	2	
251	JM21000026	FLAT WASHER 4	1	
252	JM21000026	FLAT WASHER 4	1	
253	JM21000083	BIG WASHER 8	1	
254	JM21000083	BIG WASHER 8	1	
255	JM21000083	BIG WASHER 8	1	
256	JM21000083	BIG WASHER 8	1	
257	JM21000083	BIG WASHER 8	1	
258	JM21000083	BIG WASHER 8	1	
259	JM21000083	BIG WASHER 8	2	
260	JM21000019	SPRING WASHER 5	2	
261	JM21000019	SPRING WASHER 5	2	
262	JM21000059	SPRING WASHER 8	4	
263	JM21000059	SPRING WASHER 8	2	
264	JM21000060	FLAT WASHER 8	4	
265	JM21000134	HEX BOLT M6X12	2	
266	JM21000032	HEX NUT M4	2	
267	JM21000032	HEX NUT M4	3	
268	JM21000058	HEX NUT M8	2	
269	JM21000058	HEX NUT M8	1	
270	JM21000027	SPRING WASHER 4	2	
271	JM21000027	SPRING WASHER 4	2	
272	JM21000087	HEX. SOCKET SET SCREWS M6X10	3	
273	JM21000092	COLUMN PIN B	3	
274	JM21000093	BEARING 6200	3	
275	JM21000094	SLEEVE B	3	
276	JM21000095	H.S.BOLT M5X20	3	
277	JM21000033	LOCKING NUT M6	1	
278	JM21000033	LOCKING NUT M6	1	
279	JM21000033	LOCKING NUT M6	1	
280	JM21000033	LOCKING NUT M6	1	
281	JM21000031	CROSS HEAD SUNK SCREW M4X12	2	
282	JM21000044	BEARING 6203	1	
283	JM21000044	BEARING 6203	1	
284	JM21000044	BEARING 6203	1	
285	JM21000045	HOLE COLLAR 40	1	
286	JM21000045	HOLE COLLAR 40	1	
287	JM21000045	HOLE COLLAR 40	1	
288	JM21000117	HEX BOLT M5X12	2	
289	JM21000118	HEX NUT M5	2	
290	JM21000097	CORD PROTECTION TUBE	1	
291	JM21000097	CORD PROTECTION TUBE	1	
292	JM21000159	TAPPING SCREW ST3.2X8	1	
293	JM21000029	MICRO SWITCH PRESS PAW	1	
294	JM21000030	MICRO SWITCH BRACKET	1	
295	JM21000036	SPACER SLEEVE	1	
296	JM21000043	SHAFT RETAINING RING 17	1	
297	JM21000047	TIRE	1	
298	JM21000055	SPRING BASE	1	
299	JM21000073	LIFTING BRACKET COVER	1	
300	JM21000086	COLUMN PIN A	1	
301	JM21000088	BOLT C	1	
302	JM21000091	FIX BRACKET A	1	
303	JM21000096	COVER	1	
304	JM21000103	SLEEVE A	1	
305	JM21000102	MICRO SWITCH	1	
306	JM21000104	BRUSH	1	
307	JM21000105	BRUSH SCREW	1	
308	JM21000106	LOCKNUT M8	1	
309	JM21000121	BEARING 6001	1	

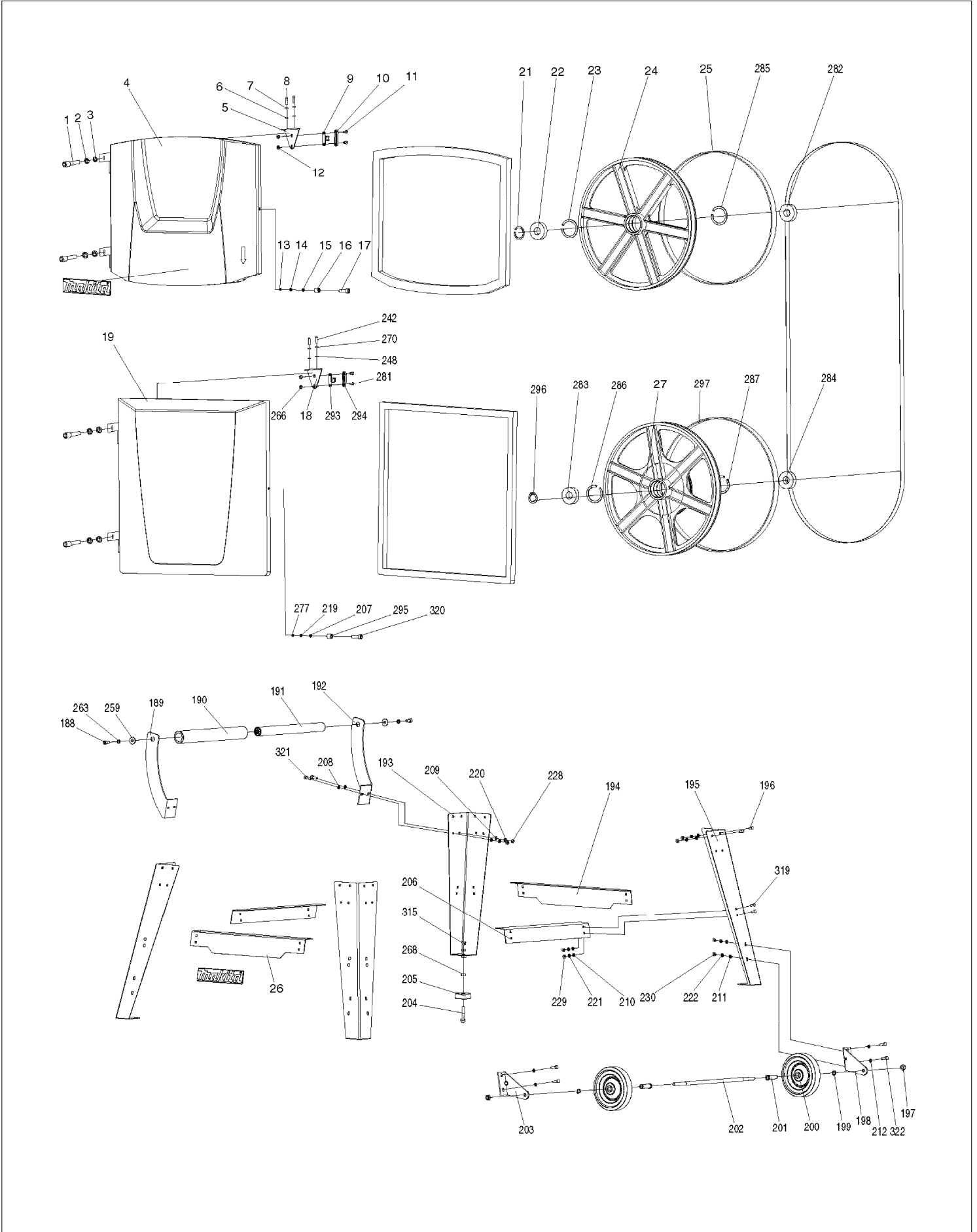
# SPARE PARTS LIST

MODEL NO. LB1200F

ITEM	PART NO.	DESCRIPTION	QTY	NOTE
310	JM21000122	HOLE COLLAR 28	1	
311	JM21000131	H.S.BOLT M6X12	1	
312	JM21000140	H.S. HEAD SCREW M6X25	1	
313	JM21000141	LATCH KNOB	1	
314	JM21000143	CROSS HEAD SUNK SCREW M4X8	1	
315	JM21000173	WING NUT M8	1	
316	JM21000134	HEX BOLT M6X12	2	
317	JM21000032	HEX NUT M4	1	
318	JM21000106	LOCKNUT M8	1	
319	JM21000210	SQUARE NECK BOLT M6X16	16	
320	JM21000037	HEX.SOCKET HEAD SCREW M6X20	1	
321	JM21000037	HEX.SOCKET HEAD SCREW M6X20	4	
322	JM21000037	HEX.SOCKET HEAD SCREW M6X20	4	
323	JM21000035	FLAT WASHER 6	1	
A01	JM21080230	RIP FENCE ASSY	1	
A02	JM21080260	MITER GUAGE ASSY	1	
A03	JM21080290	PUSH STICK	1	
A04	JM21080291	HEX WRENCH 4	1	
A05	JM21080292	HEX WRENCH 5	1	
A06	JM21080293	DUST COLLECTOR PORT A	1	
A07	JM21080294	SAW BLADE 6	1	
A08	JM21080295	SAW BLADE 13	1	
A09	JM21080296	SAW BLADE 16	1	
A10	JM21080297	SAW BLADE 16	1	

# SERVICE DRAWING

MODEL NO. LB1200F



# SERVICE DRAWING

MODEL NO. LB1200F

