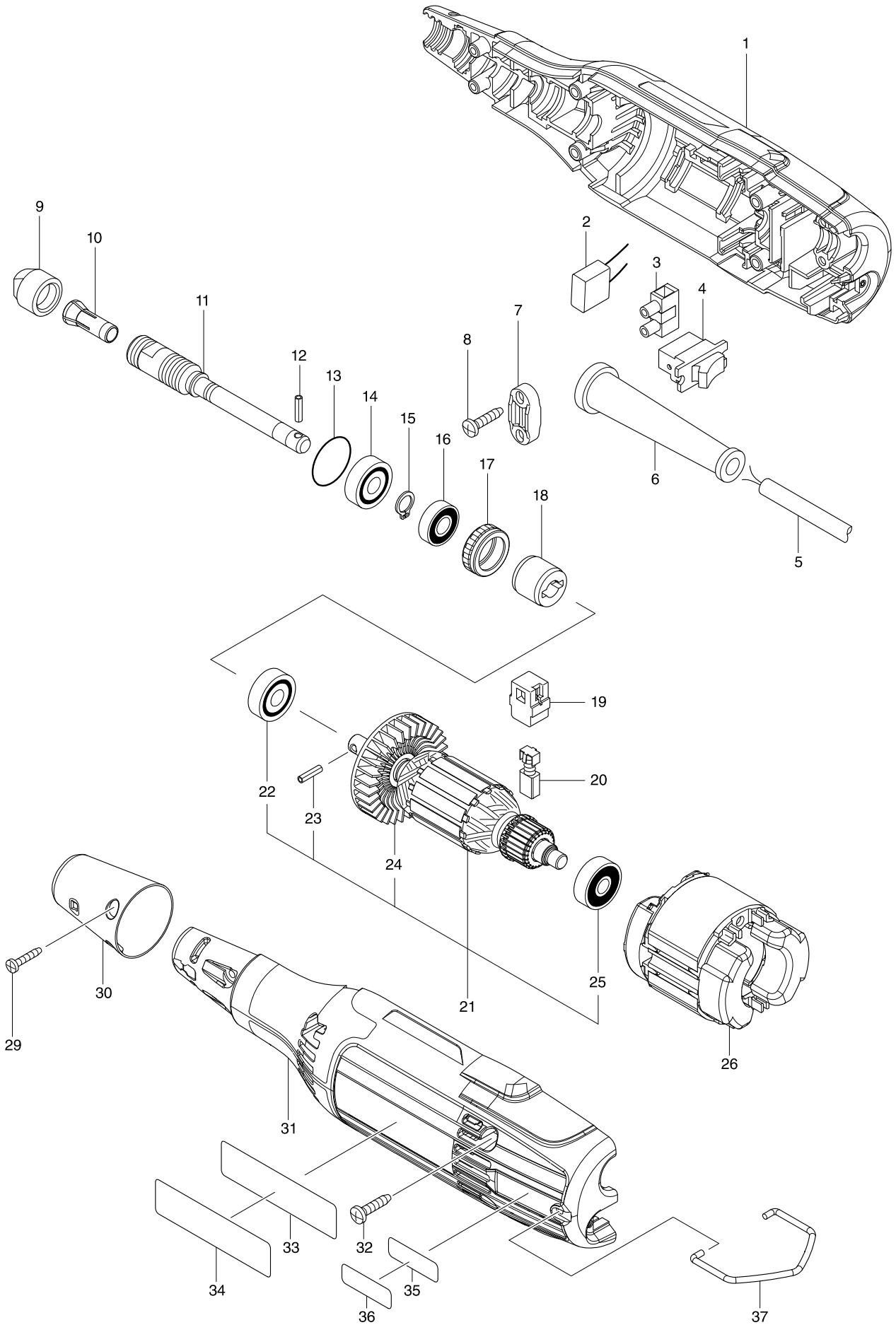


# Model No. GD0603 DIE GRINDER



# Model No. GD0603 DIE GRINDER

Item	Parts No.	Description	I/C	QTY	N/O	Opt. 1	Opt. 2	NOTE
001	183B62-6	HOUSING SET		1				
C10	263002-9	RUBBER PIN 4		2				
D10		INC. 31						
002	645239-4	NOISE SUPPRESSOR		1				
003	654532-5	TERMINAL BLOCK 1P		1				
004	651527-9	SWITCH		1				
005	665394-6	POWER SUPPLY CORD 1.0-2-2.5		1				
006	682569-2	CORD GUARD 8-85		1				
007	687124-5	STRAIN RELIEF		1				
008	266326-2	TAPPING SCREW 4X18		2				
009	763236-9	COLLET NUT6		1				
010	763620-8	COLLET CONE 6MM		1				
011	321194-1	SPINDLE		1				
012	258054-3	SPRING PIN 3-12		1				
013	213961-7	O RING 22		1				
014	211031-6	BALL BEARING 608LLB		1				
015	961004-6	RETAINING RING S-8		1				
016	211166-3	BALL BEARING 698DDW		1				
017	421479-6	RUBBER RING 19		1				
018	456337-7	COUPLING		1				
019	643566-3	BRUSH HOLDER 5X8		2				
020	191627-8	CARBON BRUSH CB-64		1				
021	513434-3	ARMATURE ASS'Y 240V		1				
D10		INC. 22-25						
022	211031-6	BALL BEARING 608LLB		1				
023	258054-3	SPRING PIN 3-12		1				
024	240085-6	FAN 48		1				
025	210025-8	BALL BEARING 627LLB		1				
026	599062-8	FIELD ASS'Y 240V		1				
C10	654037-5	INSULATED TERM. FT1.25-M3		2				
029	266429-2	TAPPING SCREW 3X16		2				
030	346902-9	CAP		1				
031	183B62-6	HOUSING SET		1				
C10	263002-9	RUBBER PIN 4		2				
D10		INC. 1						
032	266326-2	TAPPING SCREW 4X18		4				
033	851G50-8	GD0603 NAME PLATE		1				
034	807G77-6	CLEAR LABEL		1				
035	851G55-8	GD0603 SERIAL NO. LABEL		1				
036	807G78-4	CLEAR LABEL		1				
037	321193-3	HANGER		1				
A01	781003-0	WRENCH 10		2				
A02	741614-3	WHEEL POINT 1-19-60		1				
A03	741615-1	WHEEL POINT 4-19-60		1				
A04	741809-8	DRESSING STONE		1				