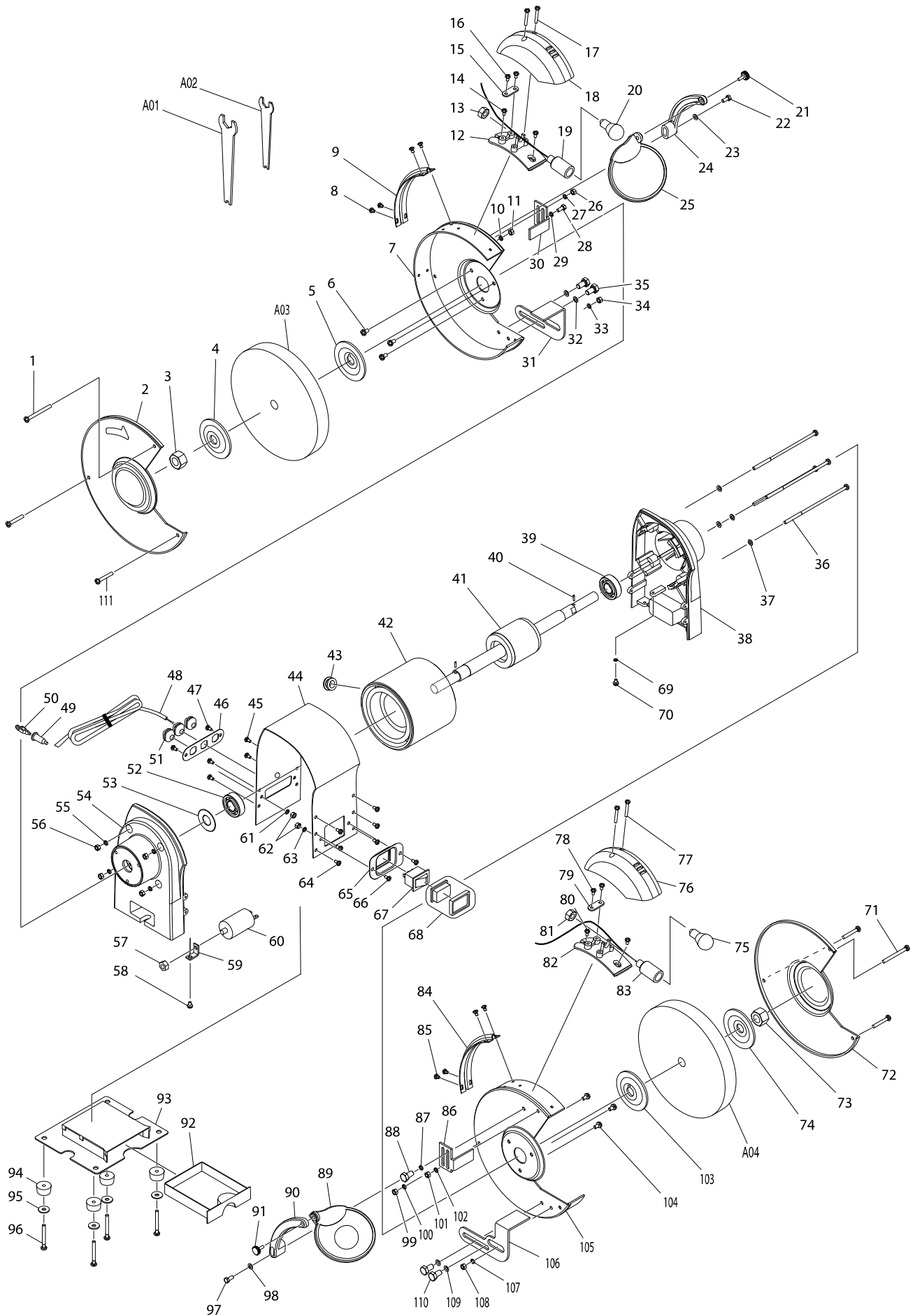


Model No. GB602 BENCH GRINDER 150MM



Model No. GB602 BENCH GRINDER 150MM

Item	Parts No.	Description	I/C	QTY	N/O	Sales	Purch.	NOTE
001	911274-7	PAN HEAD SCREW M5X50		2				
002	AL00000002	WHEEL COVER L		1				
003	AL00000003	HEX NUT M12L		1				
004	AL00000004	OUTER FLANGE		1				
005	AL00000005	INNER FLANGE		1				
006	911206-4	PAN HEAD SCREW M5X10		3				
007	AL00000006	WHEEL COVER L		1				
008	911107-6	PAN HEAD SCREW M4X8		4				
009	AL00000007	CORD CLAMP		1				
010	942101-7	SPRING WASHER 5		1				
011	931201-8	HEX. NUT M5		1				
012	AL00000008	LAMP COVER BASE		1				
013	AL00000009	NUT		1				
014	911107-6	PAN HEAD SCREW M4X8		2				
015	AL00000010	STRAIN RELIEF		1				
016	911118-1	PAN HEAD SCREW M4X12		2				
017	911156-3	PAN HEAD SCREW M4X30		2				
018	AL00000011	LAMP COVER		1				
019	AL00000012	LAMP HOLDER ASSY		1				
020	AL00000013	BULB		1				
021	AL00000014	ADJUSTABLE KNOB		1				
022	921351-7	HEX. BOLT M6X30		1				
023	941151-9	FLAT WASHER 6		1				
024	AL00000015	EYESHIELD MOUNTING ARM L		1				
025	AL00000016	SAFETY EYE SHIELD		1				
026	931201-8	HEX. NUT M5		1				
027	942101-7	SPRING WASHER 5		1				
028	921212-1	HEX. BOLT M5X12		1				
029	942101-7	SPRING WASHER 5		1				
030	AL00000017	SPARK DEFLECTOR (LEFT)		1				
031	AL00000018	WORK REST (LEFT)		1				
032	941202-8	FLAT WASHER 8		2				
033	942101-7	SPRING WASHER 5		1				
034	931201-8	HEX. NUT M5		1				
035	921411-5	HEX. BOLT M8X12		2				
036	265004-1	PAN HEAD SCREW M5X135		4				
037	941101-4	FLAT WASHER 5		4				
038	AL00000019	MOTOR HOUSING COVER R		1				
039	211206-7	BALL BEARING 6202LLB		1				
040	951051-5	SPRING PIN 3-8		2				
041	AL00000215	ROTOR		1				
042	AL00000185	STATOR		1				
043	AL00000022	BUSH		1				
044	AL00000023	MOTOR HOUSING		1				
045	911113-1	PAN HEAD SCREW M4X10		4				
046	AL00000024	CORD CLIP PLATE		1				
047	911113-1	PAN HEAD SCREW M4X10		2				
048	AL00000152	WIRE WITH PLUG		1				

Item	Parts No.	Description	I/C	QTY	N/O	Sales	Purch.	NOTE
051	AL00000026	CORD GUARD		3				
052	211206-7	BALL BEARING 6202LLB		1				
053	AL00000027	WAVE WASHER		1				
054	AL00000028	MOTOR HOUSING COVER L		1				
055	942101-7	SPRING WASHER 5		4				
056	931201-8	HEX. NUT M5		4				
057	931402-8	HEX. NUT M8		1				
058	911113-1	PAN HEAD SCREW M4X10		1				
059	AL00000029	CAPACITOR CLAMP		1				
060	AL00000095	CAPACITOR		1				
061	942051-6	SPRING WASHER 4		2				
062	931102-0	HEX. NUT M4		4				
063	942051-6	SPRING WASHER 4		2				
064	911113-1	PAN HEAD SCREW M4X10		6				
065	AL00000031	SWITCH BOARD		1				
066	911113-1	PAN HEAD SCREW M4X10		2				
067	AL00000032	SWITCH ASSY COVER		1				
068	AL00000033	SWITCH COVER ASSY		1				
069	AL00000134	TOOTHED LOCK WASHER 4		1				
070	911113-1	PAN HEAD SCREW M4X10		1				
072	AL00000034	WHEEL COVER R		1				
073	AL00000035	HEX NUT M12		1				
074	AL00000004	OUTER FLANGE		1				
075	AL00000013	BULB		1				
076	AL00000011	LAMP COVER		1				
077	911156-3	PAN HEAD SCREW M4X30		2				
078	911118-1	PAN HEAD SCREW M4X12		2				
079	AL00000010	STRAIN RELIEF		1				
080	911107-6	PAN HEAD SCREW M4X8		2				
081	AL00000009	NUT		1				
082	AL00000008	LAMP COVER BASE		1				
083	AL00000012	LAMP HOLDER ASSY		1				
084	AL00000007	CORD CLAMP		1				
085	911107-6	PAN HEAD SCREW M4X8		4				
086	AL00000036	SPARK DEFLECTOR (RIGHT)		1				
087	942101-7	SPRING WASHER 5		1				
088	921212-1	HEX. BOLT M5X12		1				
089	AL00000037	SAFETY EYE SHIELD WITH MAG		1				
090	AL00000038	EYESHIELD MOUNTING ARM R		1				
091	AL00000014	ADJUSTABLE KNOB		1				
092	AL00000039	COOLANT TRAY		1				
093	AL00000040	COOLANT TRAY PLATE ASSY		1				
094	AL00000041	RUBBER SLEEVE		4				
095	941051-3	FLAT WASHER 4		4				
096	911121-2	PAN HEAD SCREW M4X14		4				
097	921351-7	HEX. BOLT M6X30		1				
098	941151-9	FLAT WASHER 6		1				
099	931201-8	HEX. NUT M5		1				

