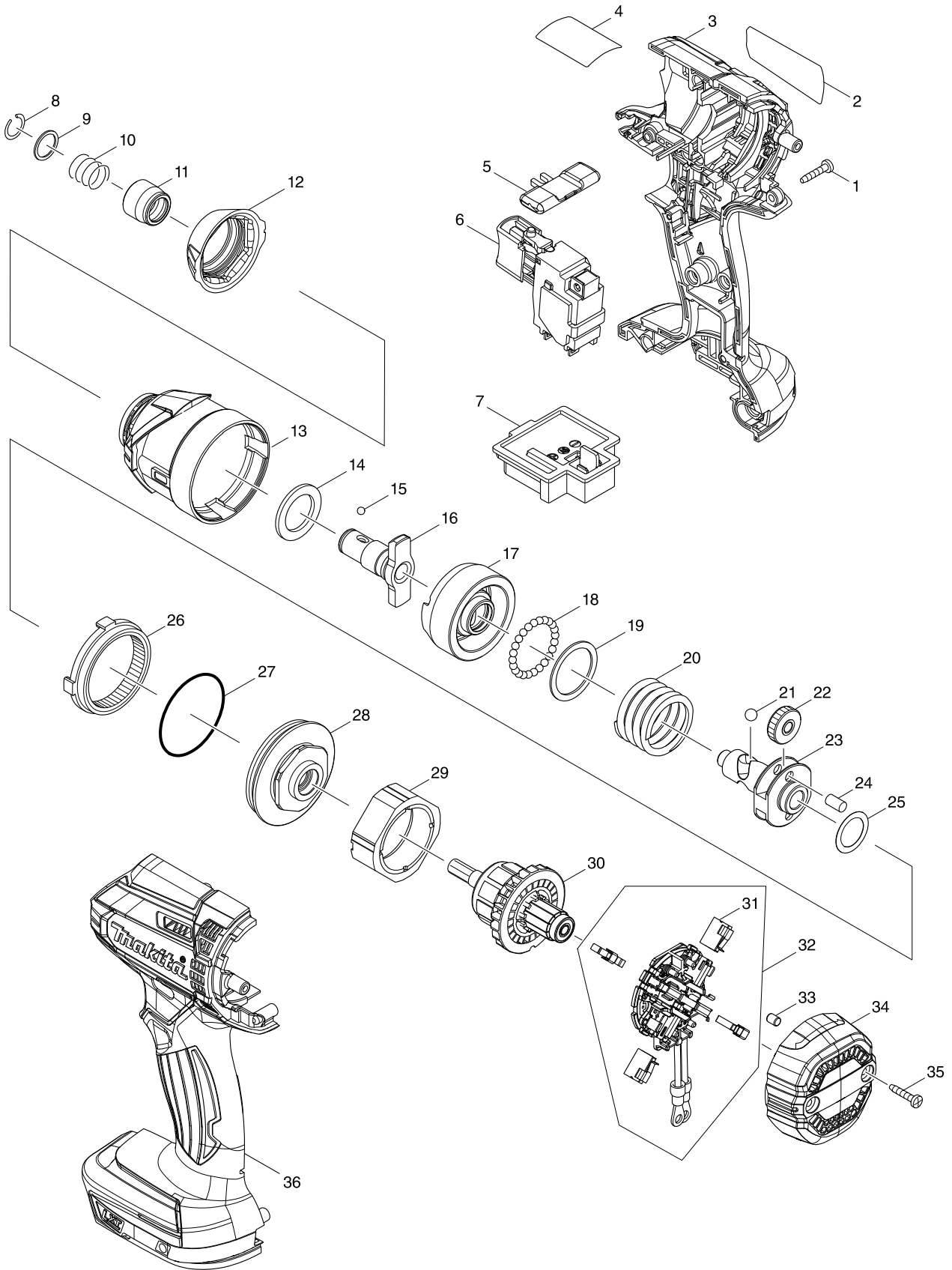


Model No. DTD152 CORDLESS IMPACT DRIVER



Model No. DTD152 CORDLESS IMPACT DRIVER

Item	Parts No.	Description	I/C	QTY	N/O	Opt. 1	Opt. 2	NOTE
001	266429-2	TAPPING SCREW 3X16		8				
002	851E29-7	DTD152 NAME PLATE		1				
003	183B63-4	HOUSING SET		1				
C10	263005-3	RUBBER PIN 6		2				
D10		INC. 36						
005	455053-8	F/R CHANGE LEVER		1				
006	650751-1	SWITCH		1				
C10	620445-2	LED CIRCUIT		1				
007	643852-2	TERMINAL		1				
008	231951-8	RING SPRING 11		1				
009	267085-1	FLAT WASHER 12		1				
010	233005-7	COMPRESSION SPRING 13		1				
011	326072-0	BIT SLEEVE		1				
012	424738-7	BUMPER		1				
013	143299-5	HAMMER CASE COMPLETE		1				
014	261151-6	NYLON WASHER 19		1				
015	216040-0	STEEL BALL 3.5		2				
016	326576-2	ANVIL N		1				
017	326564-9	HAMMER		1				
018	216040-0	STEEL BALL 3.5		24				
019	267175-0	FLAT WASHER 24		1				
020	234251-5	COMPRESSION SPRING 25		1				
021	216041-8	STEEL BALL 5.6		2				
022	227362-3	SPUR GEAR 22		2				
023	326562-3	SPINDLE		1				
024	256253-1	PIN 5		2				
025	253314-8	THIN WASHER 15		1				
026	227378-8	INTERNAL GEAR 51		1				
027	213507-9	O RING 40		1				
028	143298-7	BEARING BOX COMPLETE		1				
029	638396-5	YOKE UNIT		1				
030	619377-8	ARMATURE		1				
031	196854-2	CARBON BRUSH CB-448		2				
032	632F25-8	BRUSH HOLDER COMPLETE		1				
C10	688172-7	LINE FILTER		1				
C20	654037-5	INSULATED TERM. FT1.25-M3		2				
D10		INC. 31						
033	263032-0	RUBBER PIN 4		4				
034	456044-2	REAR COVER		1				
035	266429-2	TAPPING SCREW 3X16		2				
036	183B63-4	HOUSING SET		1				
C10	263005-3	RUBBER PIN 6		2				
D10		INC. 3						
A01A	346317-0	HOOK		1				
A01B	346449-3	HOOK		1				
A01C	346317-0	HOOK		1				
A02	266622-8	+ TRUSS HEAD SCREW M4X12		1				
A03A	141856-3	PLASTIC CARRYING CASE COMPLETE		1				

Model No. DTD152 CORDLESS IMPACT DRIVER

Item	Parts No.	Description	I/C	QTY	N/O	Opt. 1	Opt. 2	NOTE
C10	162302-3	LATCH		2				
C20	324207-7	SHAFT		1				
C30	451749-9	HANDLE		1				
A03B	141856-3	PLASTIC CARRYING CASE COMPLETE		1				
C10	162302-3	LATCH		2				
C20	324207-7	SHAFT		1				
C30	451749-9	HANDLE		1				
A03C	821550-0	CONNECTOR PLASTIC CASE (TYPE2)		1				
C10	453974-8	LATCH		4				
A04A	450128-8	BATTERY COVER		1				
A04B	450128-8	BATTERY COVER		1				
A04C	837670-0	INNER TRAY		1				
A05A	***DC18RC	DC18RC FAST CHARGER		1				
A05B	***DC18RC	DC18RC FAST CHARGER		1				
A05C	807T25-3	DTD152ZJ INDICATION LABEL		1				
A06A	196399-0	BATTERY BL1840 SET		2	*			
A06B	196460-3	BATTERY BL1820 SET		2				
A06C	807T26-1	DTD152ZJ PLASTIC CASE LABEL		2				
A06-1A	197265-4	BATTERY BL1840B SET	<	2				
A07A	807T15-6	DTD152RME PLASTIC CASE LABEL		2				
A07B	807T21-1	DTD152RAE PLASTIC CASE LABEL		2				