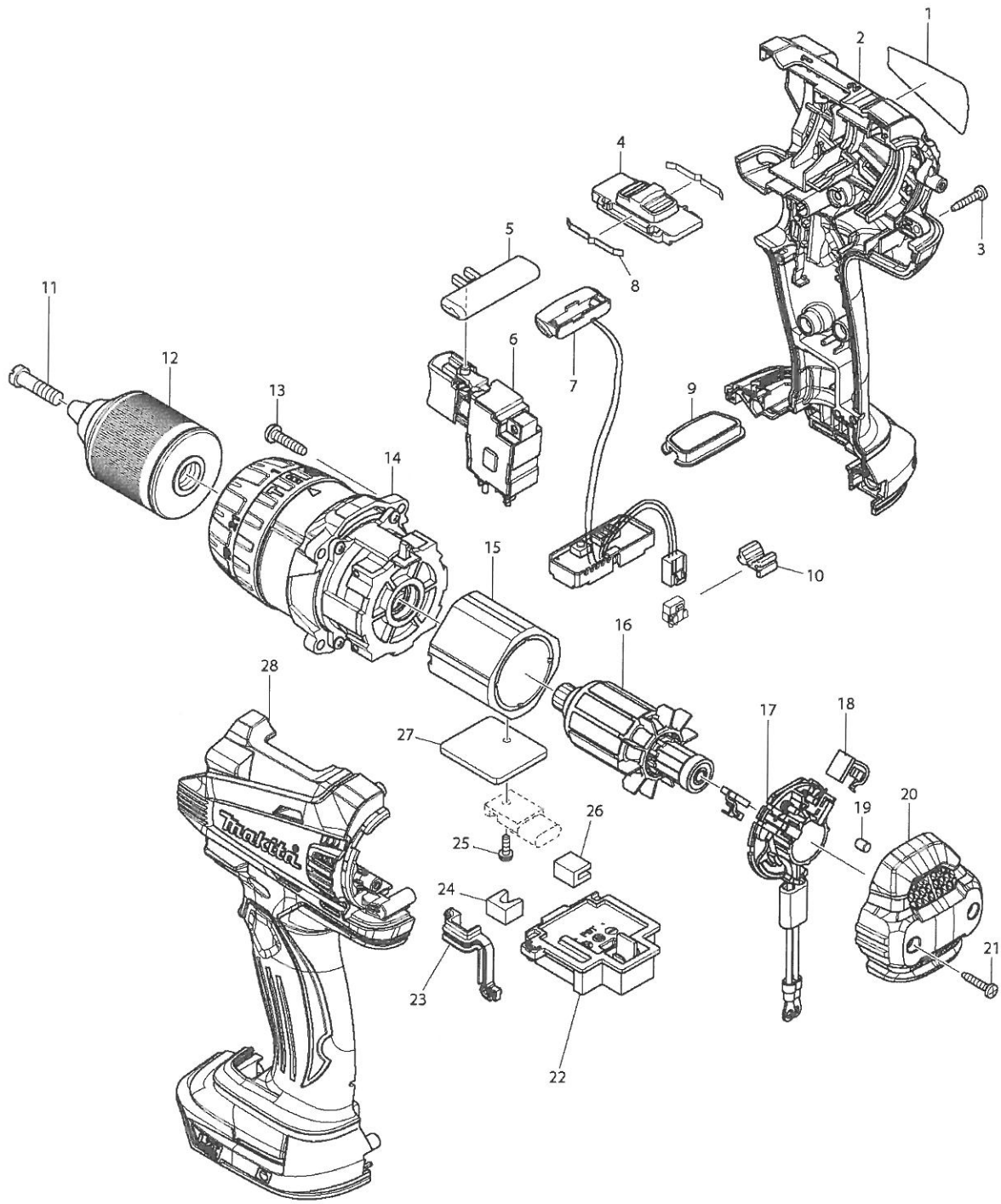


SERVICE DRAWING

MODEL NO. DHP458



SPARE PARTS LIST

MODEL NO. DHP458

ITEM	PART NO.	DESCRIPTION	QTY	NOTE
001	814Y76-9	DHP458 NAME PLATE	1	
002	187430-3	HOUSING SET INC. 28	1	
003	266130-9	TAPPINGSCREWBINDPT3X16	7	
004	126100-9	SPEED CHANGE LEVER ASSEMBLY	1	
005	419250-0	F/RCHANGELEVER	1	
006	650724-4	SWITCH TG573FSB-3	1	
007	620138-1	LIGHT CIRCUIT	1	
008	232220-0	LEAFSPRING	2	
009	140963-9	SWITCH PLATE COMPLETE	1	
010	424476-1	CUSHION	1	
011	251468-5	-FLATHEADSCREWM6X22	1	
012	766015-4	KEYLESS DRILL CHUCK 13	1	
013	265995-6	TAPPINGSCREW4X18	4	
014	*****	*****	***	*****
015	638989-8	YOKE UNIT	1	
016	619301-1	ARMATURE	1	
017	638614-1	BRUSH HOLDER COMPLETE	1	
018	194427-5	CARBONBRUSHCB-440	1	
019	263032-0	RUBBERPIN4	2	
020	453394-6	REAR COVER	1	
021	266130-9	TAPPINGSCREWBINDPT3X16	2	
022	644808-8	TERMINAL	1	
023	424430-5	SEAL	1	
024	423422-1	SPONGE A	1	
025	911013-5	PANHEADSCREWM3X10	1	
026	423423-9	SPONGE B	1	
027	689176-2	HEAT SINK	1	
028	187430-3	HOUSING SET INC. 2	1	
A01	126131-8	GRIP ASSEMBLY	1	
A02	251314-2	+SCREWM4X12	2	
A03	346317-0	HOOK	1	
A04	452947-8	BITHOLDER	1	
A05	784637-8	+BIT2-45	2	
A06	122576-8	STOPPERPOLEASS'Y	1	
A07	***DC18RC	DC18RC FAST CHARGER	1	
A08	194204-5	BATTERYBL1830SET	2	
A09	450128-8	BATTERYCOVER	1	
A10	821524-1	PLASTIC CARRYING CASE	1	
A11	802J58-3	DHP458RFE PLASTIC CASE LABEL	2	