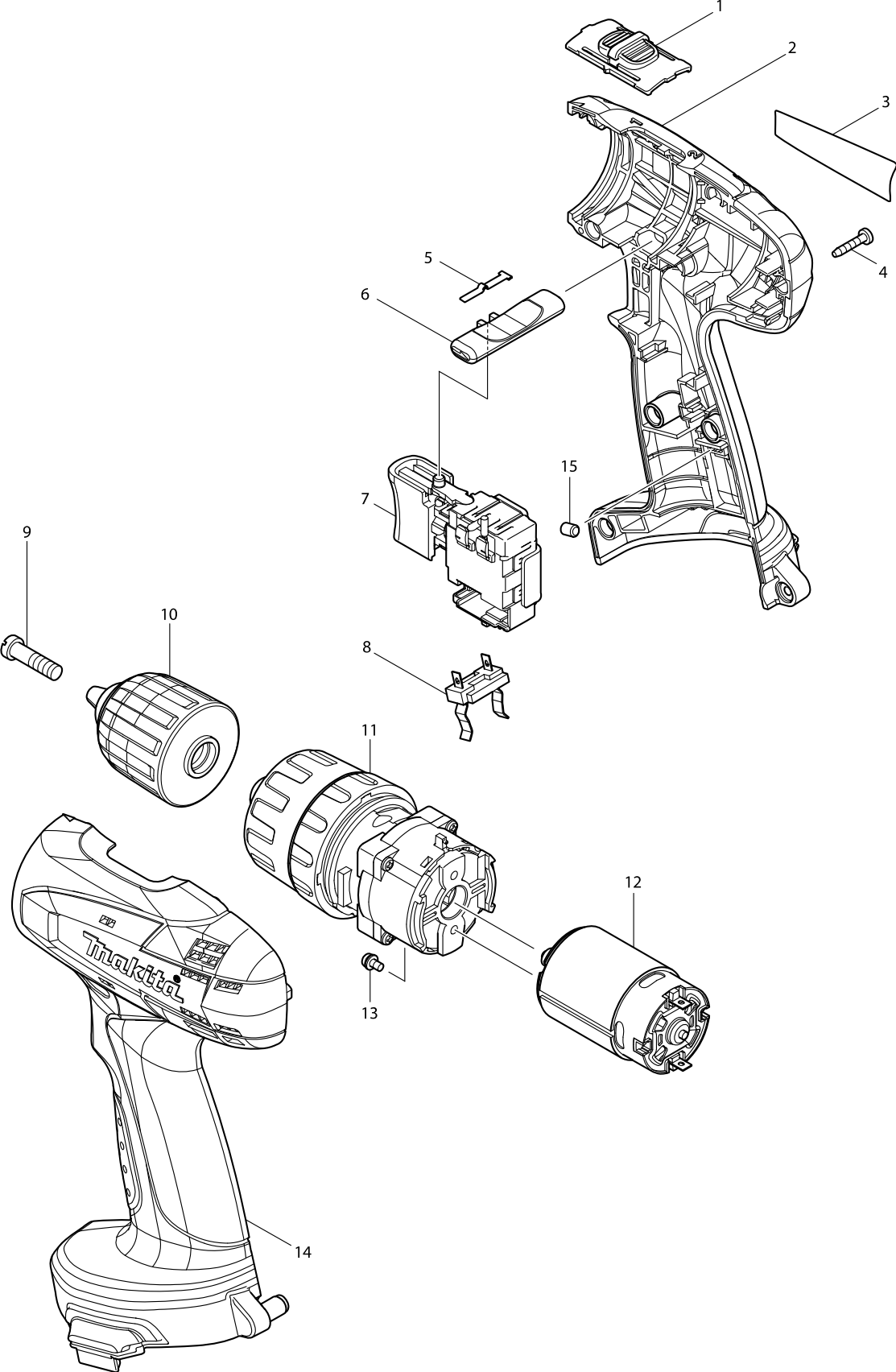


Model No. 8281D CORDLESS HAMMER DRIVER DRILL



Model No. 8281D CORDLESS HAMMER DRIVER DRILL

Item	Parts No.	Description	I/C	QTY	N/O	Opt. 1	Opt. 2	NOTE
001	125310-5	SPEED CHANGE LEVER ASS'Y		1				
C10	231433-0	COMPRESSION SPRING 4		2				
002	188512-4	HOUSING SET		1	*			
D10		INC. 14			*			
002-1	187301-4	HOUSING SET	<	1				
D10		INC. 14						
003	865191-2	8281D NAME PLATE		1				
004	266130-9	TAPPING SCREW BIND PT 3X16		9				
005	232182-2	LEAF SPRING		1				
006	450584-2	F/R CHANGE LEVER		1				
007	650601-0	SWITCH TG563FSB-2		1	*			
007-1	650601-0	SWITCH TG563FSB-2	O	1	*			
007-2	650663-8	SWITCH TG563FSB-2	<	1	*			
007-3	650672-7	SWITCH TG563FSB-2	<	1				
008	643909-9	BATTERY HOLDER		1				
009	251468-5	- FLAT HEAD SCREW M6X22		1				
010	766003-1	KEYLESS DRILL CHUCK 10		1				
011	125484-2	GEAR ASS'Y		1				
012	629823-3	DC MOTOR		1				
013	911003-8	PAN HEAD SCREW M3X6		2				
014	188512-4	HOUSING SET		1	*			
D10		INC. 2			*			
014-1	187301-4	HOUSING SET	<	1				
D10		INC. 2						
015	263024-9	RUBBER PIN 4		2				
A01	784636-0	+/- BIT 2-65		1				
A02	414938-7	BATTERY COVER		2				
A03	***DC1414	DC1414 BATTERY CHARGER		1				
A04A	192600-1	HIGH CAPACITY BATTERY 1422 SET		2				
A04B	192600-1	HIGH CAPACITY BATTERY 1422 SET		2				
A04C	193985-8	BATTERY PA14 SET		2				
A04D	193985-8	BATTERY PA14 SET		2				
A05A	824852-3	PLASTIC CARRYING CASE		1				
C10	163455-1	LATCH		2				
A05B	824853-1	PLASTIC CARRYING CASE		1				
C10	163455-1	LATCH		2				
A05C	824852-3	PLASTIC CARRYING CASE		1				
C10	163455-1	LATCH		2				
A05D	193994-7	TOOL CHEST		1				
A06B	192752-8	ML140 RECHARGEABLE FLASHLIGHT		1				
D10		INC. A07,A08						
A07B	345261-8	HOOK PLATE		1				
A08B	417926-3	STRAP G0970200500		1				